

SHENZHEN STANDARD TECHNOLOGY CO., LTD
STANDARD ELECTRONIC CO., LIMITED

3F, No.17, LangKou Industrial Park (WeiPengDa), LangKou Community, DaLang SubDistrict Office, LongHua District, ShenZhen, GuangDong 518109 China

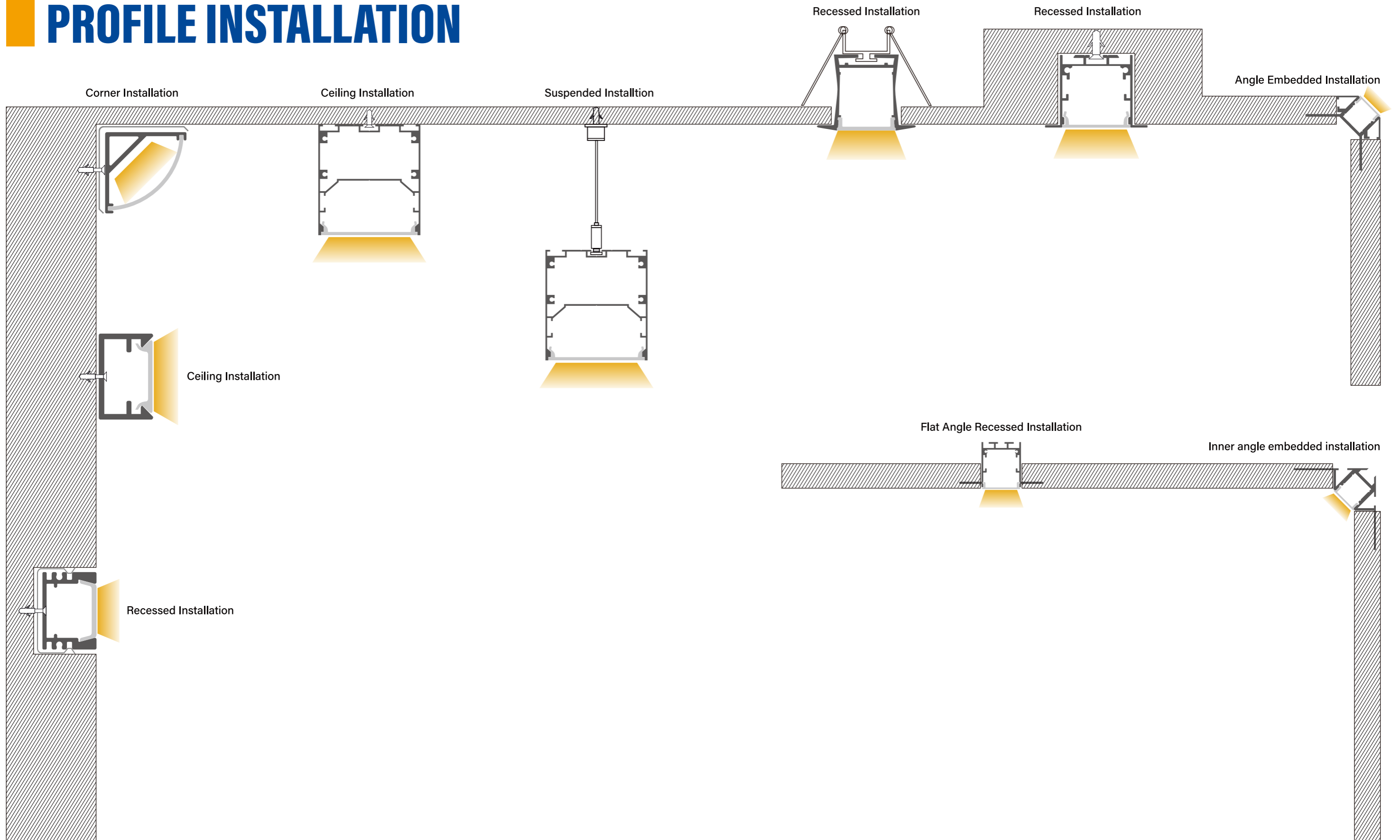
+86-755-23082153 +86-755-23082553 sales@se.lighting sales@se-led.com www.se.lighting

Steven Gao (General Manager) Mobile/WeChat/WhatsApp: +86-189 2341 9518

ALUMINUM PROFILES

Solid Partner, Flexible Solution.
Professional LED Lighting Manufacturer since 2007

PROFILE INSTALLATION

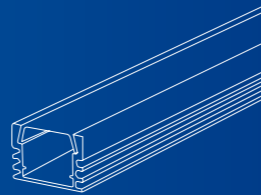


Remarks: Customized Design Size and Spec Available

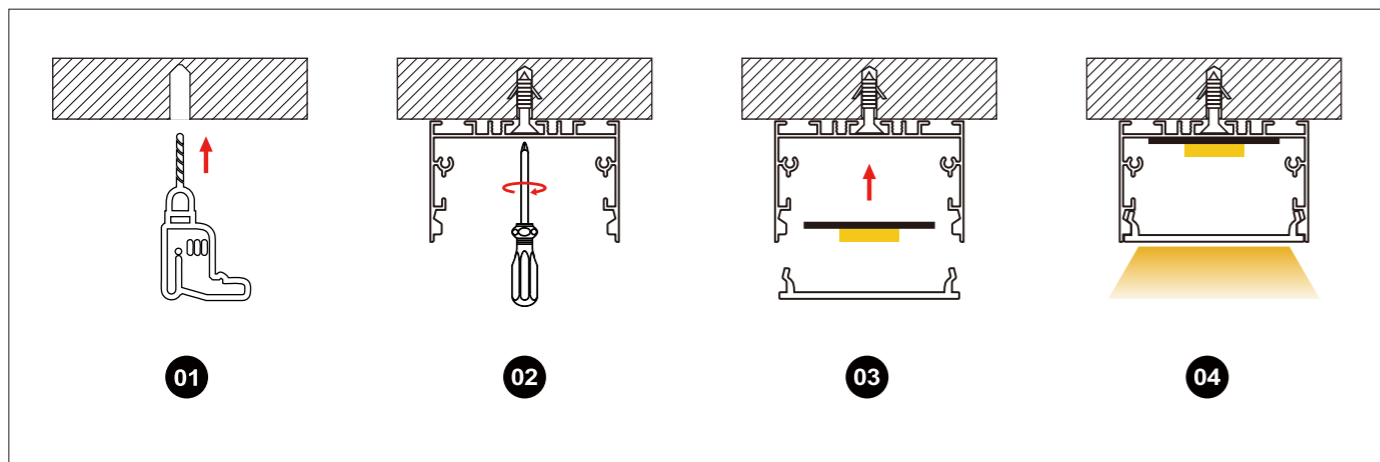
Remarks: Customized Design Size and Spec Available



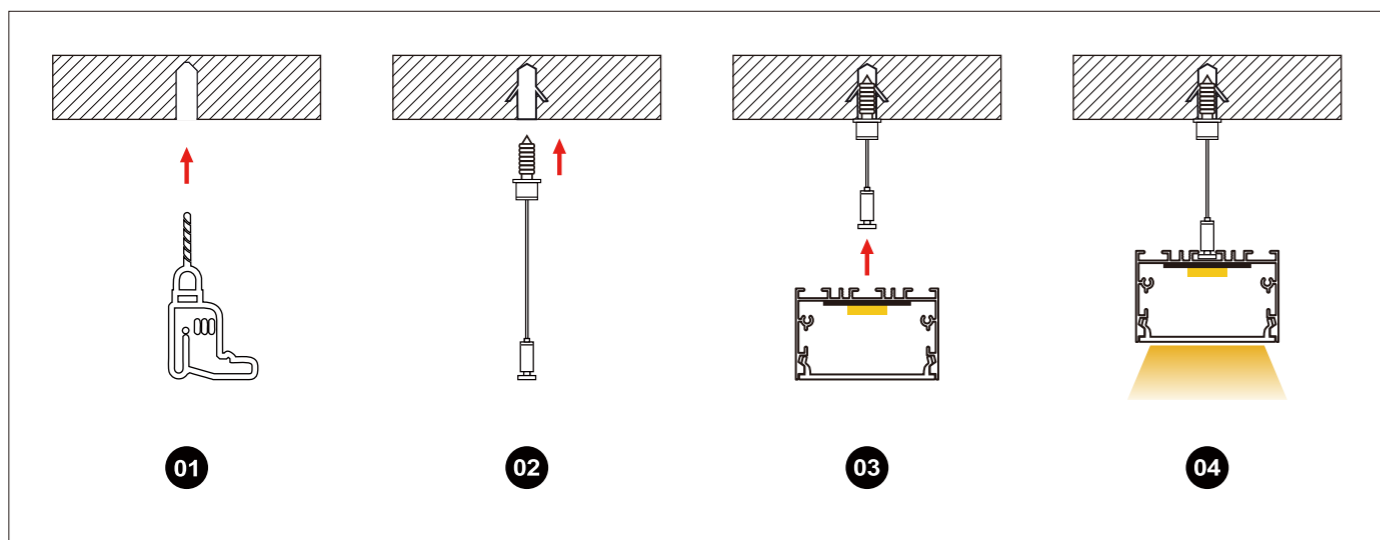
Installation Methods



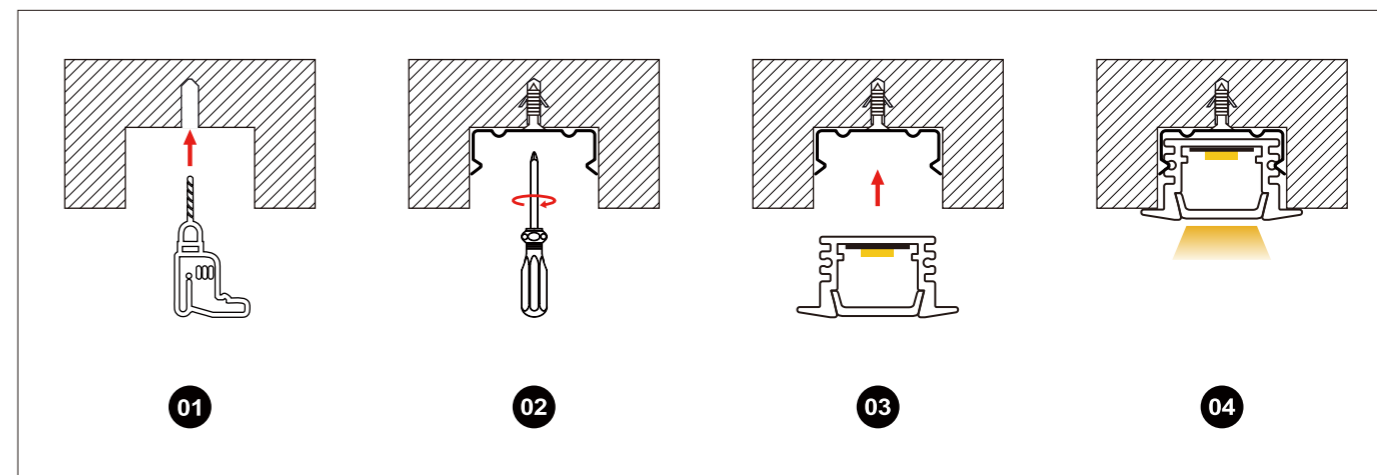
Ceiling Installation



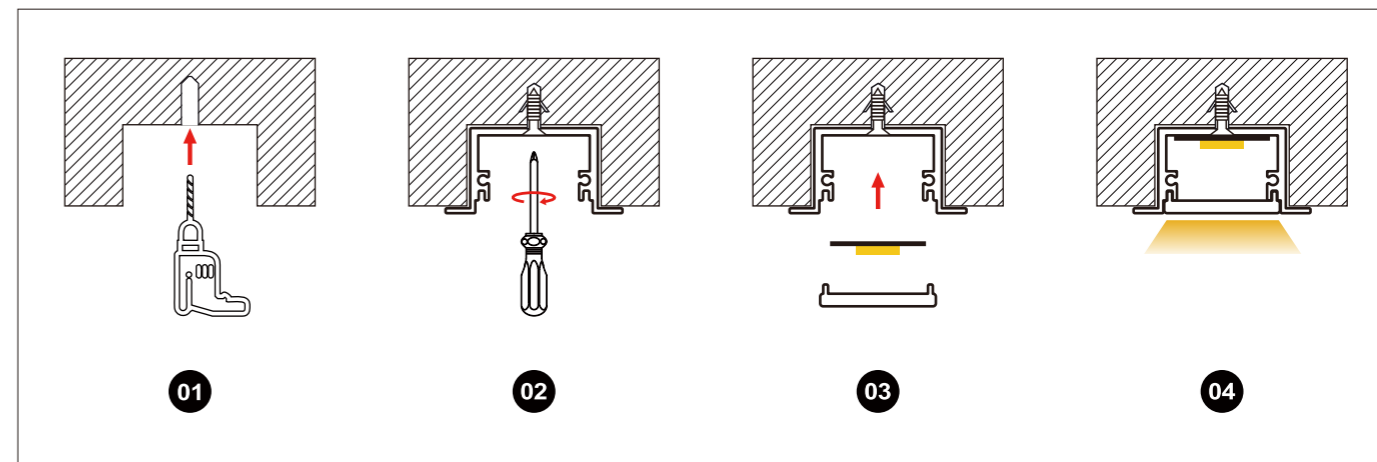
Suspended Installation



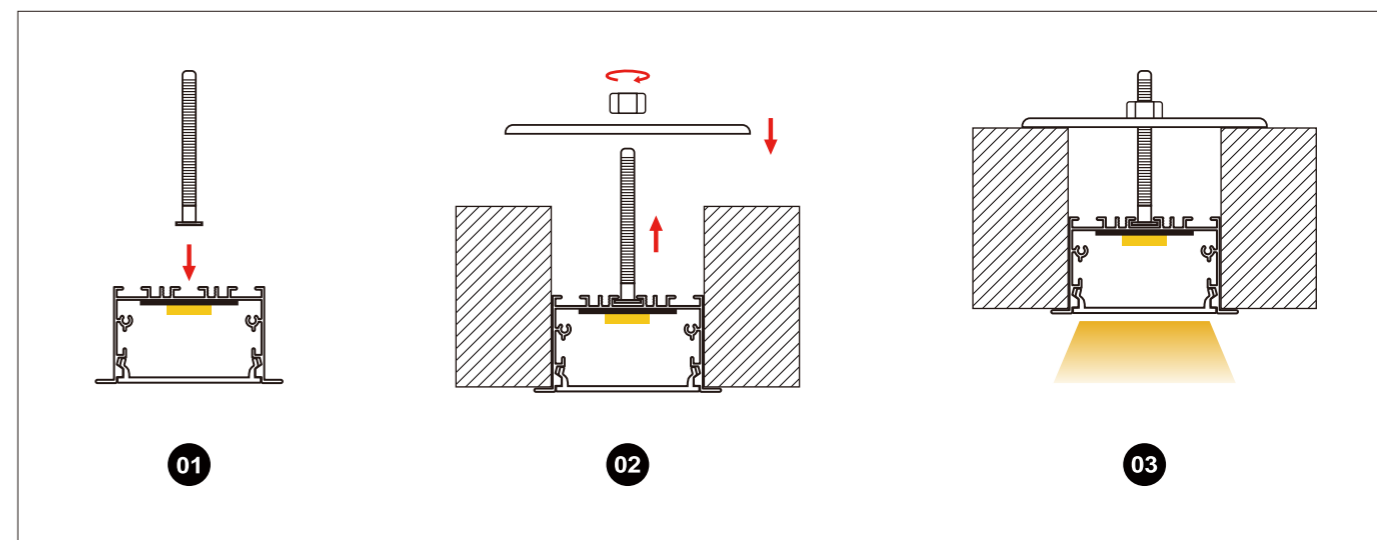
Recessed Installation (With Clip)



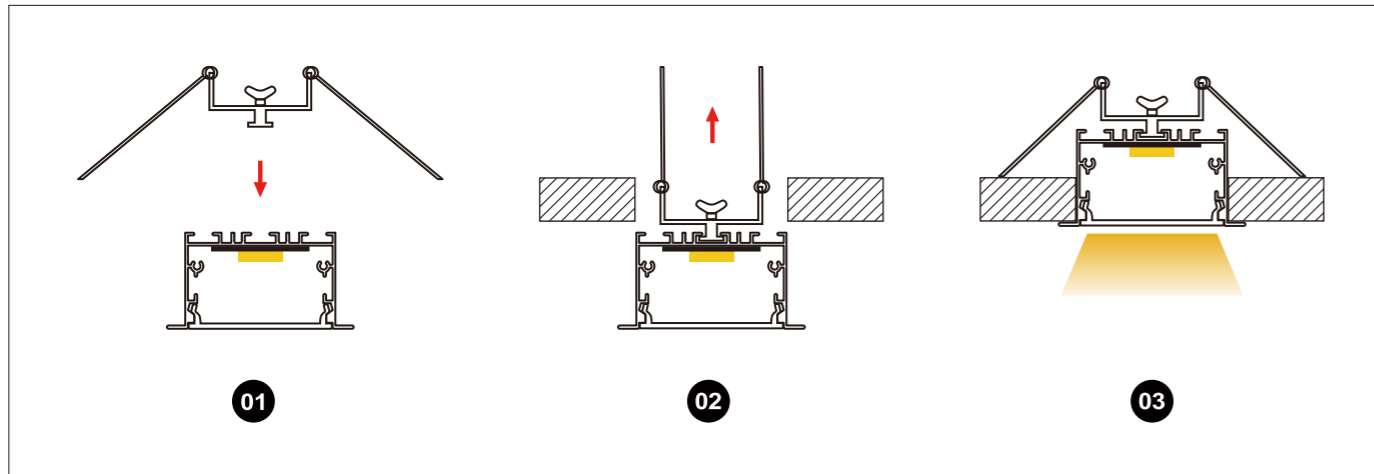
Recessed Installation (With Edge)



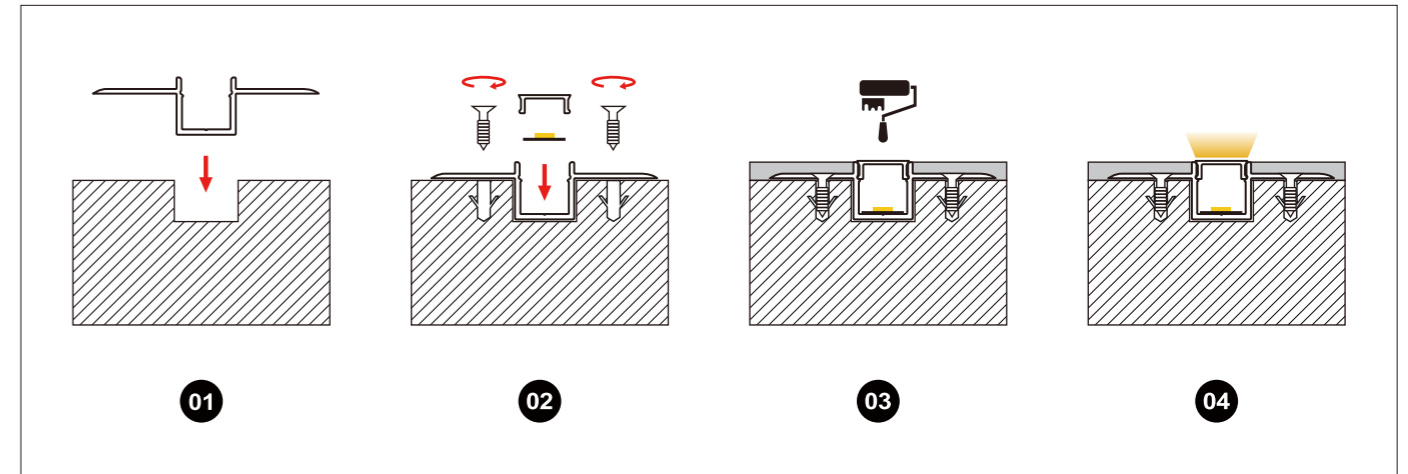
Recessed Installation (Rectangular Fittings)



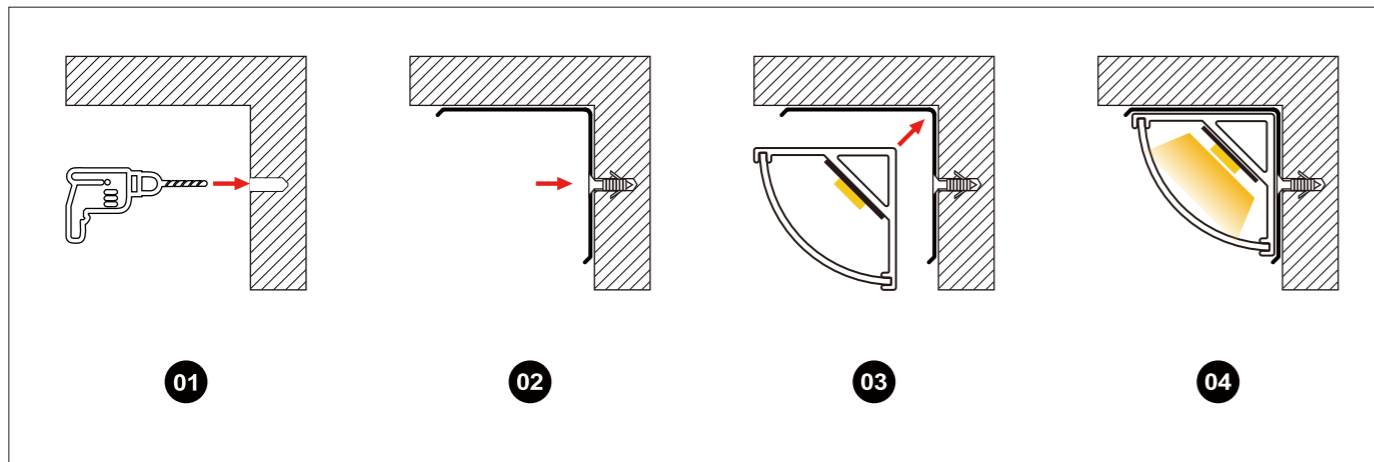
Recessed Installation (Spring Clips)



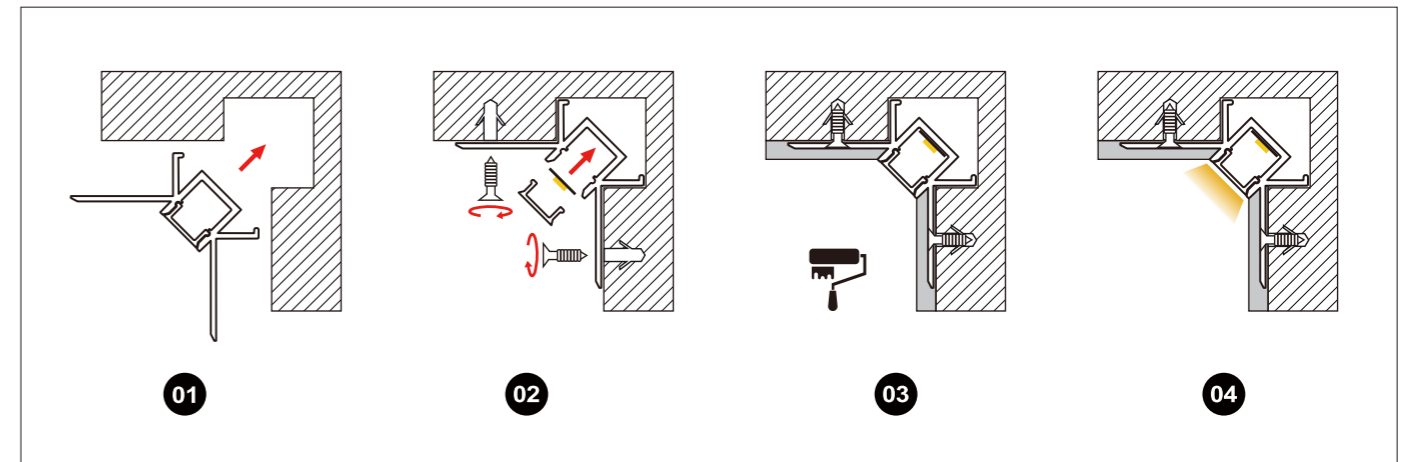
Flat Angle Recessed Installation



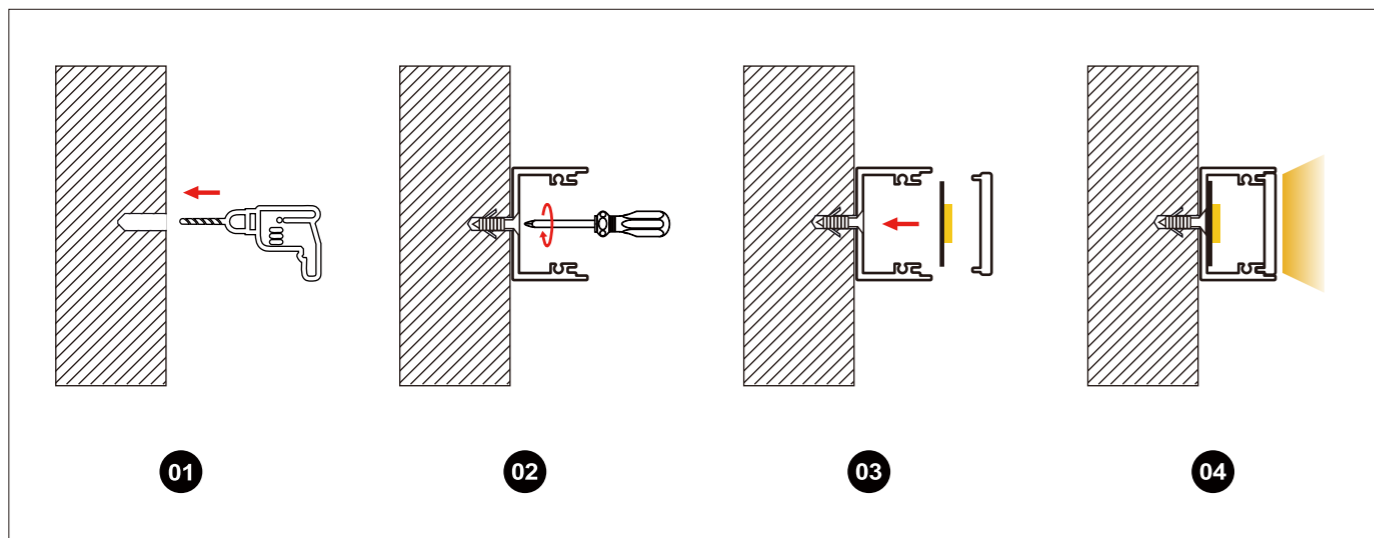
Corner Installation



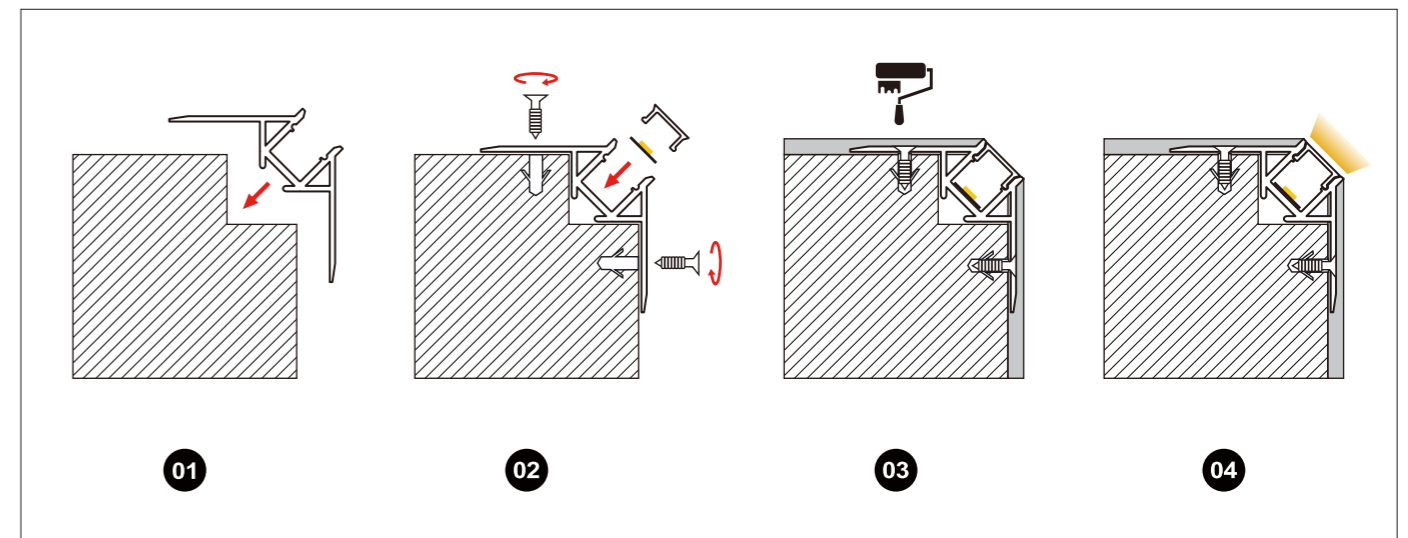
Inner angle embedded installation



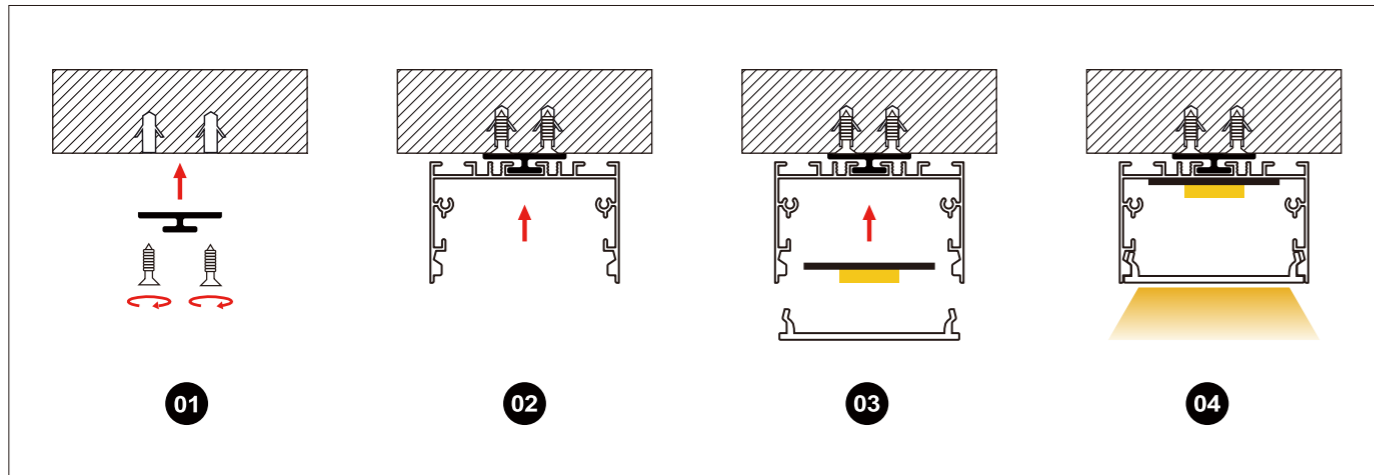
Fixed installation



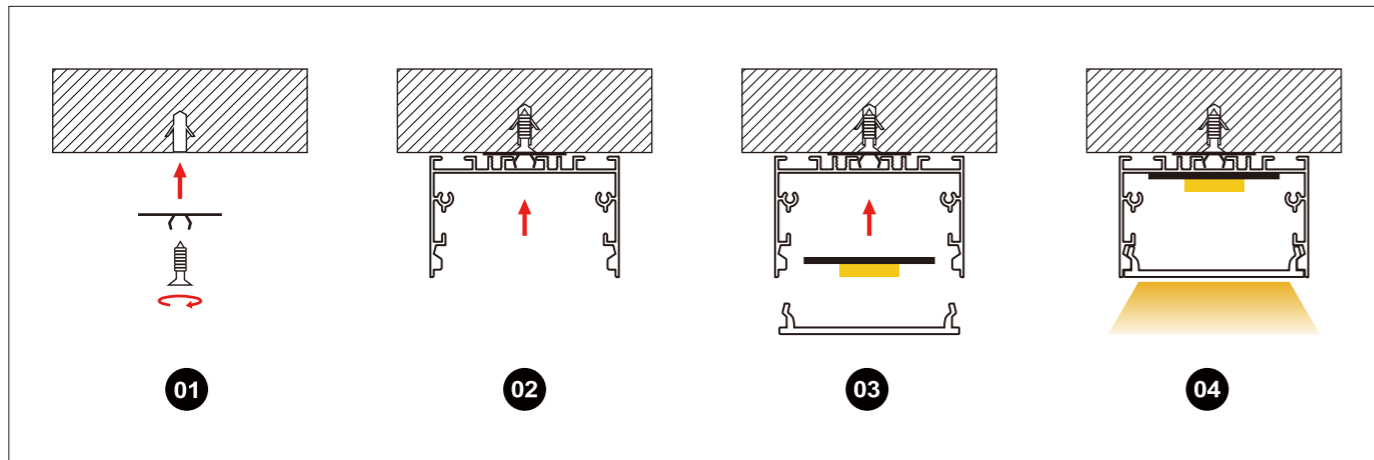
Angle Embedded Installation



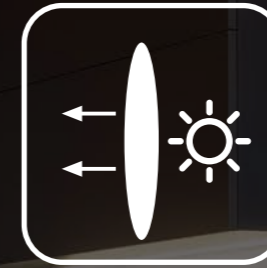
Ceiling Installation (Rectangular Fittings)



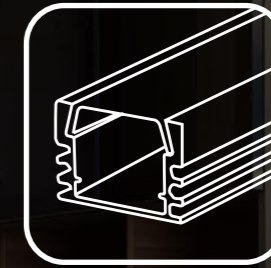
Ceiling Installation (Rectangular Fittings)



PRODUCT FEATURES



High light transmittance



High quality Aluminum Profiles



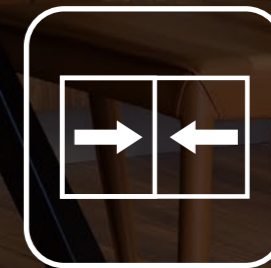
Good heat dispersion



Corrosion resistance



Size customization



Seamless stitching



Flexible Surface Mount Aluminum Profile

This profile is compact, slim, and easy to install, perfect for under cabinet, under stairs, closets, exhibits, furniture, work stations, etc.

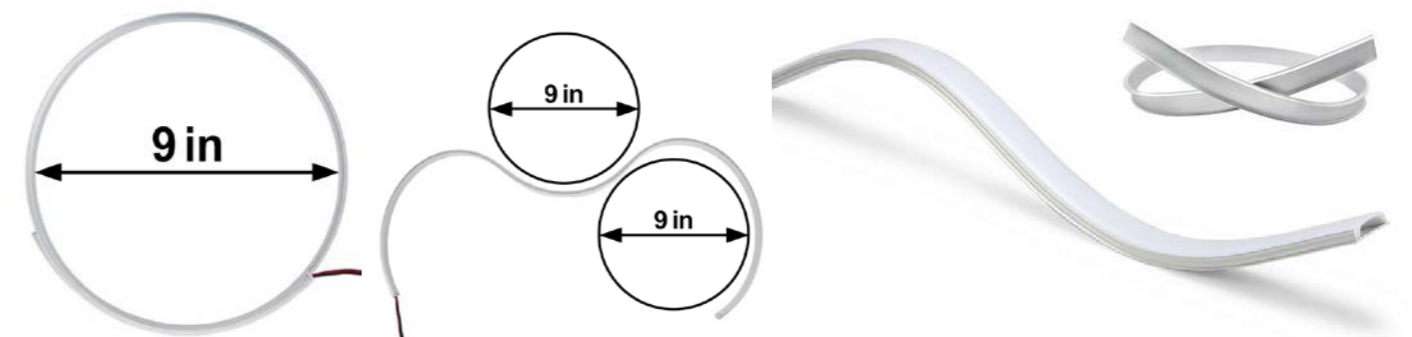
- 1.LED strip light channels are made from high-quality aluminum and other materials. The LED strip covers are sturdy and will last you ages.
- 2.LED strip mounting channels are available in both clear and frosted finishes so you can choose the LED light effect you like.
- 3.LED strip holders come with highly adhesive 3M stickers as well as mounting clips so you easily install the strip housings on any surface you like.
- 4.Can customize the size, length, finish, and other features of your LED channel tracks. Can help design LED aluminum extrusions to your exact requirements.

ALUMINUM PROFILES



Model Number	AL-1706 (Flexible)
Material	6063-T5
Available lengths	0.5m/1m/1.5m/2m/3m
PCB Width	≤15mm
PC Cover	Milky

New Bendable Aluminum LED Profile (AL-1706 Flexible) is ideal for straight linear runs or it can bend and shape to surfaces that are non-linear making installation easier for curved shapes. Made from high quality Aviation 6063-T5 aircraft aluminum and Anodized, and can be used with LED Strip Light that are 8~12mm wide.



It can bend to many different shapes. Like as U O P W, use for some special applications.



Remarks: Customized Design Size and Spec Available

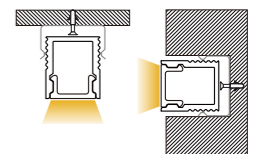
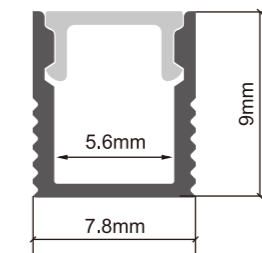
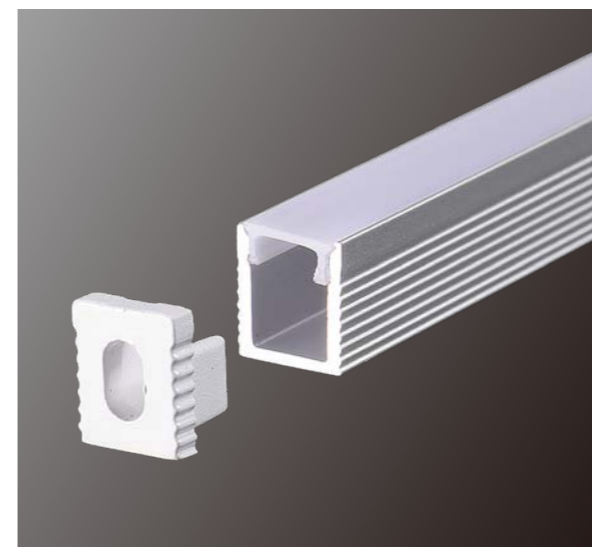


Surface Mount Aluminum Profile

This profile is compact, slim, and easy to install, perfect for under cabinet, under stairs, closets, exhibits, furniture, work stations, etc.

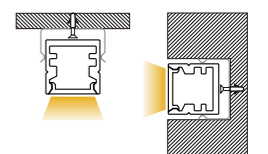
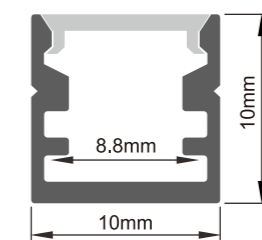
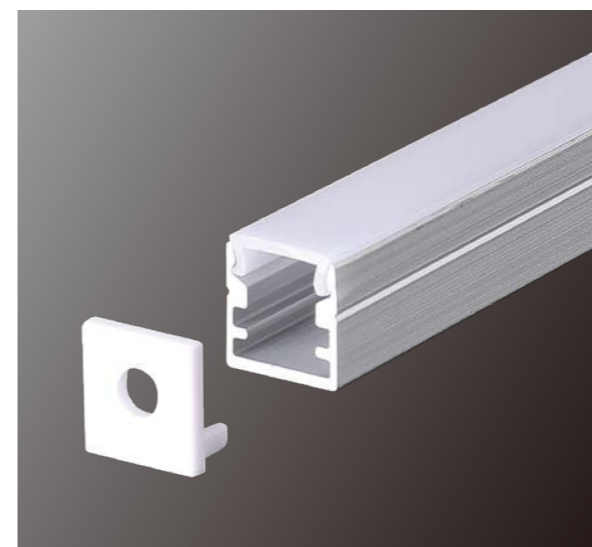
- 1.LED strip light channels are made from high-quality aluminum and other materials. The LED strip covers are sturdy and will last you ages.
- 2.LED strip mounting channels are available in both clear and frosted finishes so you can choose the LED light effect you like.
- 3.LED strip holders come with highly adhesive 3M stickers as well as mounting clips so you easily install the strip housings on any surface you like.
- 4.Can customize the size, length, finish, and other features of your LED channel tracks. Can help design LED aluminum extrusions to your exact requirements.

ALUMINUM PROFILES



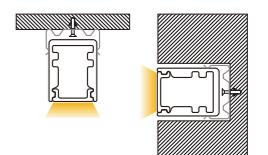
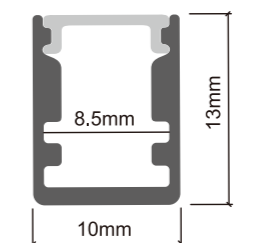
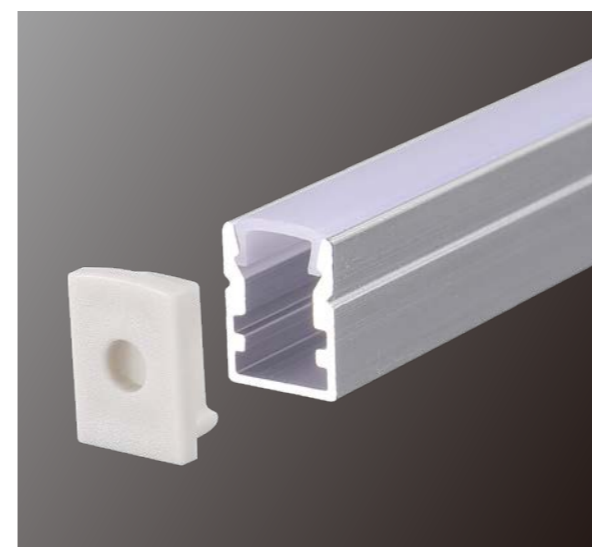
Silver Black White

Model Number	AL-0809
Material	6063-T5
Available lengths	0.5m/1m/1.5m/2m/3m
PCB Width	≤5.6mm
PC Cover	Milky



Silver Black White

Model Number	AL-1010-1
Material	6063-T5
Available lengths	0.5m/1m/1.5m/2m/3m
PCB Width	≤8.8mm
PC Cover	Milky

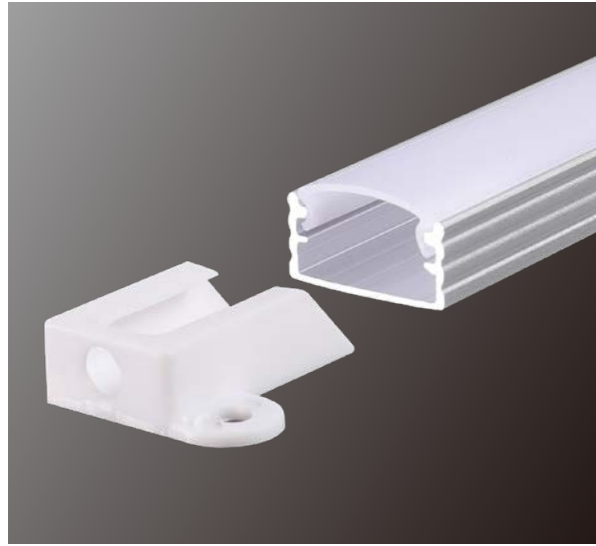


Silver Black White

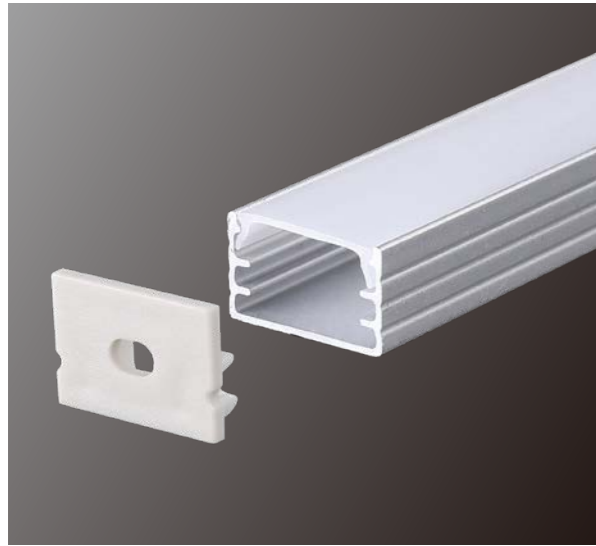
Model Number	AL-1013-2
Material	6063-T5
Available lengths	0.5m/1m/1.5m/2m/3m
PCB Width	≤8.5mm
PC Cover	Milky

Remarks: Customized Design Size and Spec Available

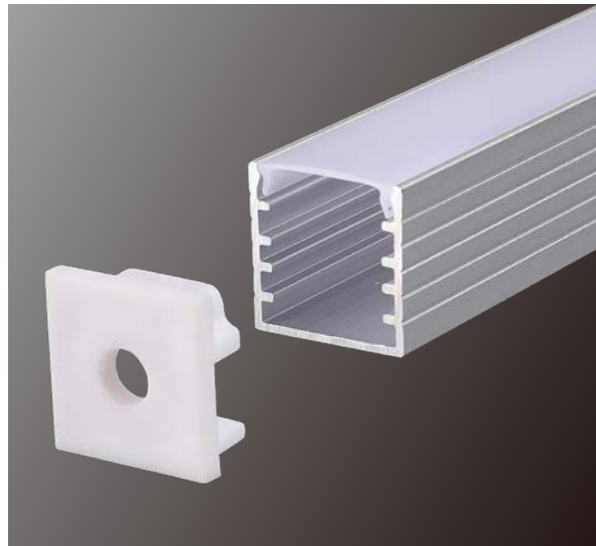
ALUMINUM PROFILES



Model Number	AL-1407
Material	6063-T5
Available lengths	0.5m/1m/1.5m/2m/3m
PCB Width	≤12.7mm
PC Cover	Milky

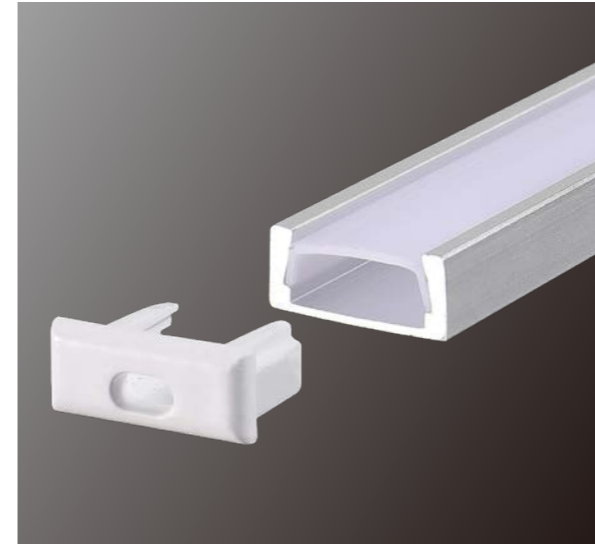


Model Number	AL-1409
Material	6063-T5
Available lengths	0.5m/1m/1.5m/2m/3m
PCB Width	≤13.2mm
PC Cover	Milky

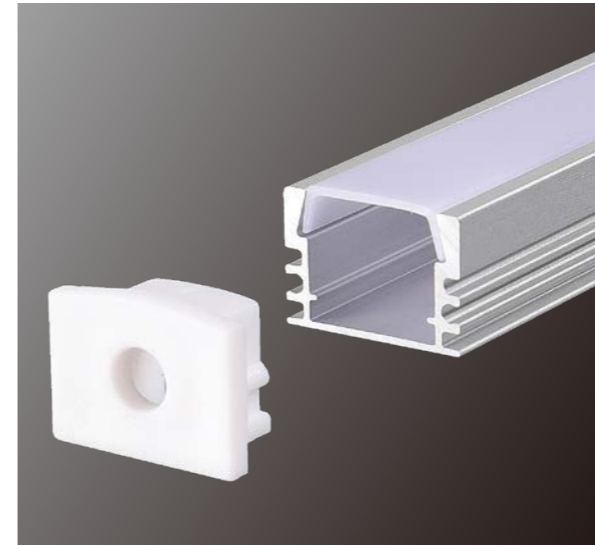


Model Number	AL-1414-1
Material	6063-T5
Available lengths	0.5m/1m/1.5m/2m/3m
PCB Width	≤12.9mm
PC Cover	Milky

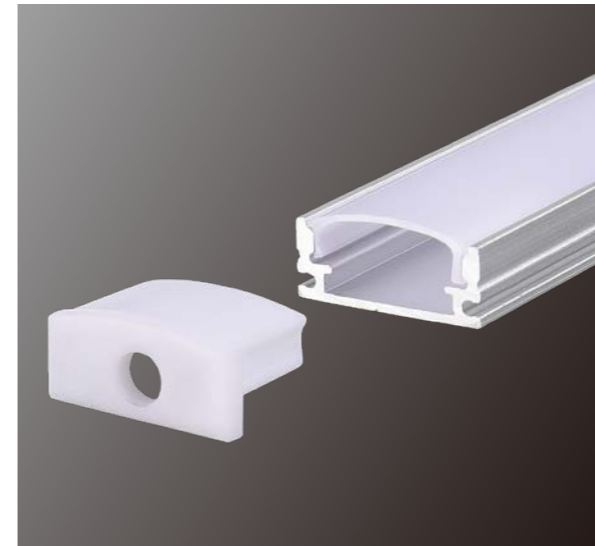
ALUMINUM PROFILES



Model Number	AL-1506
Material	6063-T5
Available lengths	0.5m/1m/1.5m/2m/3m
PCB Width	≤11.5mm
PC Cover	Milky

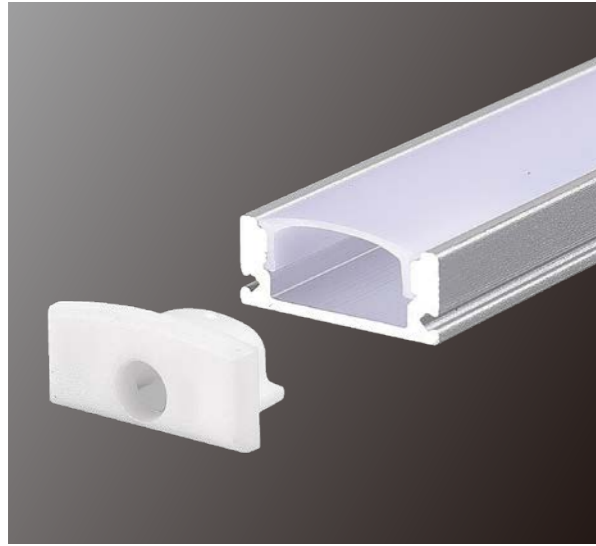


Model Number	AL-1712
Material	6063-T5
Available lengths	0.5m/1m/1.5m/2m/3m
PCB Width	≤12.4mm
PC Cover	Milky

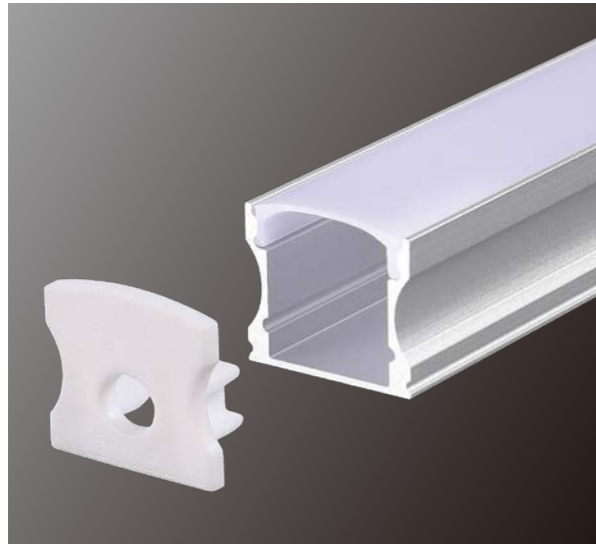


Model Number	AL-1707-1
Material	6063-T5
Available lengths	0.5m/1m/1.5m/2m/3m
PCB Width	≤12.4mm
PC Cover	Milky

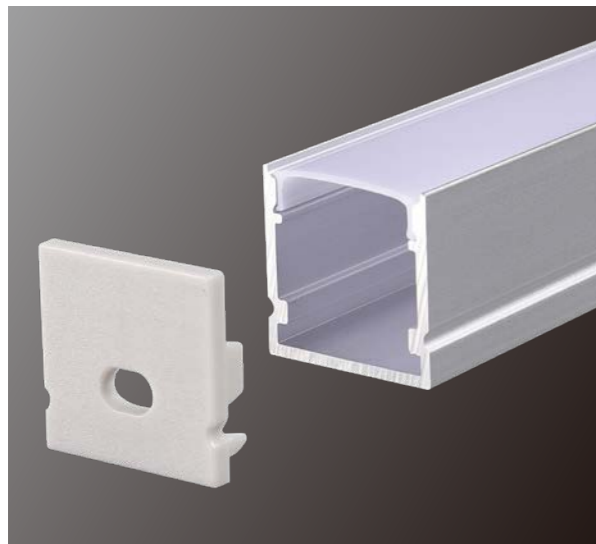
ALUMINUM PROFILES



Model Number	AL-1707-2
Material	6063-T5
Available lengths	0.5m/1m/1.5m/2m/3m
PCB Width	≤12.2mm
PC Cover	Milky



Model Number	AL-1714
Material	6063-T5
Available lengths	0.5m/1m/1.5m/2m/3m
PCB Width	≤12.5mm
PC Cover	Milky



Model Number	AL-2020
Material	6063-T5
Available lengths	0.5m/1m/1.5m/2m/3m
PCB Width	≤16.8mm
PC Cover	Milky



Corner-Mounted Aluminum Profile

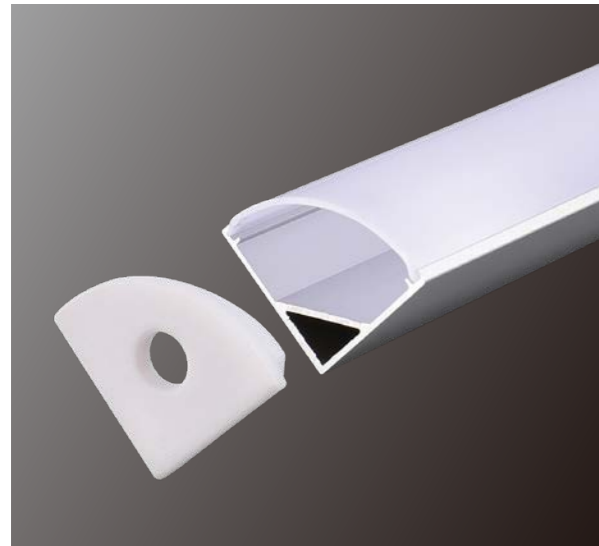
For furniture (bookcases, wardrobes), glass cabinets (jewelry), counter units (reception desks, bars) and decorative ceiling lighting.

1. LED strip light channels are made from high-quality aluminum and other materials. The LED strip covers are sturdy and will last you ages.
2. LED strip mounting channels are available in both clear and frosted finishes so you can choose the LED light effect you like.
3. LED strip holders come with highly adhesive 3M stickers as well as mounting clips so you easily install the strip housings on any surface you like.
4. Can customize the size, length, finish, and other features of your LED channel tracks. Can help design LED aluminum extrusions to your exact requirements.

ALUMINUM PROFILES



Model Number	AL-0808
Material	6063-T5
Available lengths	0.5m/1m/1.5m/2m/3m
PCB Width	≤4mm
PC Cover	Milky

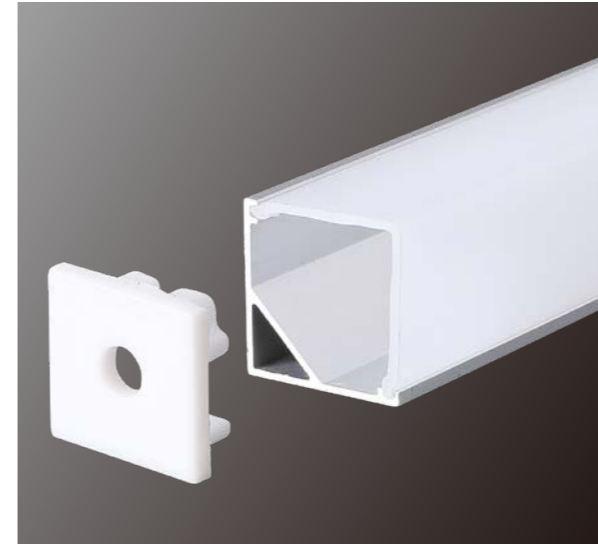


Model Number	AL-1616-1
Material	6063-T5
Available lengths	0.5m/1m/1.5m/2m/3m
PCB Width	≤12mm
PC Cover	Milky



Model Number	AL-1616-2
Material	6063-T5
Available lengths	0.5m/1m/1.5m/2m/3m
PCB Width	≤12.5mm
PC Cover	Milky

ALUMINUM PROFILES



Model Number	AL-1616-3
Material	6063-T5
Available lengths	0.5m/1m/1.5m/2m/3m
PCB Width	≤12mm
PC Cover	Milky

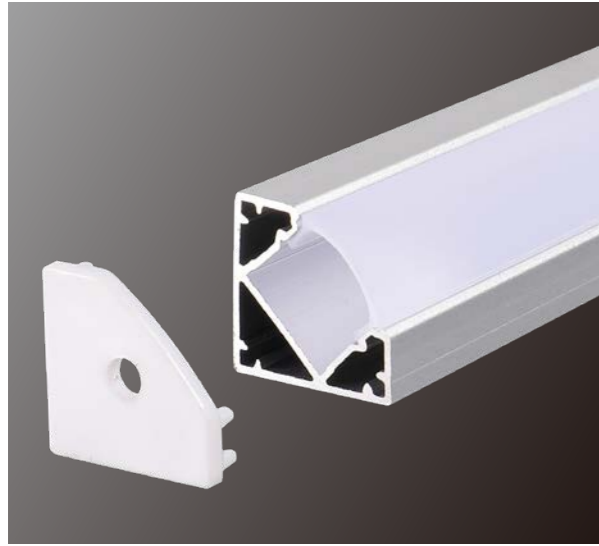


Model Number	AL-1818-2
Material	6063-T5
Available lengths	0.5m/1m/1.5m/2m/3m
PCB Width	≤12.5mm
PC Cover	Milky



Model Number	AL-1919-1
Material	6063-T5
Available lengths	0.5m/1m/1.5m/2m/3m
PCB Width	≤12.5mm
PC Cover	Milky

ALUMINUM PROFILES



Model Number	AL-1919-2
Material	6063-T5
Available lengths	0.5m/1m/1.5m/2m/3m
PCB Width	≤12mm
PC Cover	Milky

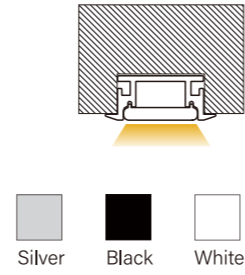
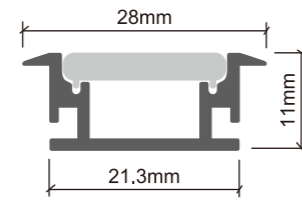
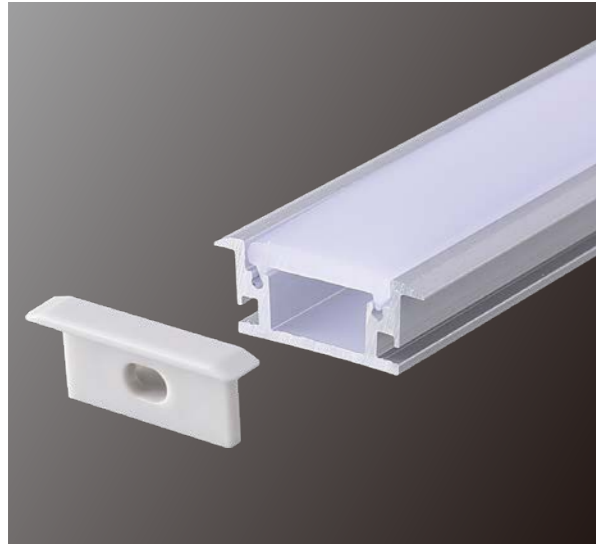


Underground Embedded Aluminum Profile

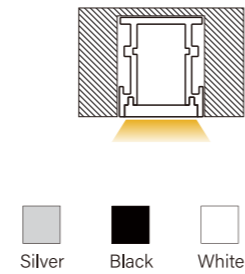
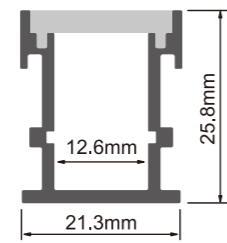
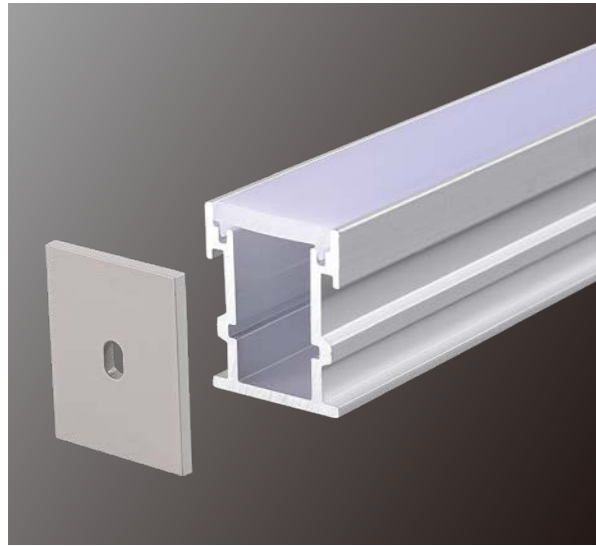
This profile with thickness PMMA cover suitable for mounting underground, widely applicable for green belt, park landscape design, Square night view, Residential areas, Road lighting, etc.

1. LED strip light channels are made from high-quality aluminum and other materials. The LED strip covers are sturdy and will last you ages.
2. LED strip mounting channels are available in both clear and frosted finishes so you can choose the LED light effect you like.
3. LED strip holders come with highly adhesive 3M stickers as well as mounting clips so you easily install the strip housings on any surface you like.
4. Can customize the size, length, finish, and other features of your LED channel tracks. Can help design LED aluminum extrusions to your exact requirements.

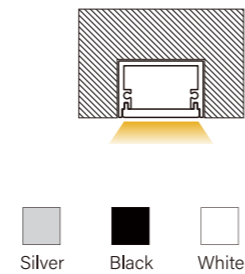
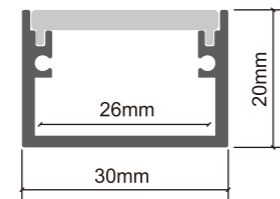
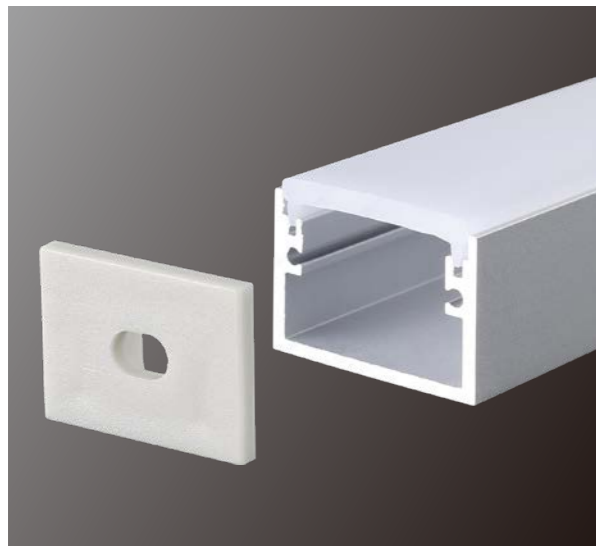
ALUMINUM PROFILES



Model Number	AL-2711-G
Material	6063-T5
Available lengths	0.5m/1m/1.5m/2m/3m
PCB Width	≤12.2mm
PC Cover	Milky

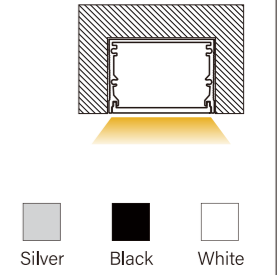
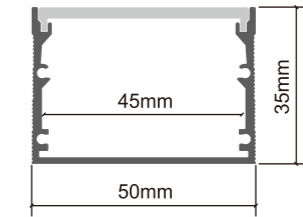


Model Number	AL-2126-G
Material	6063-T5
Available lengths	0.5m/1m/1.5m/2m/3m
PCB Width	≤12mm
PC Cover	Milky

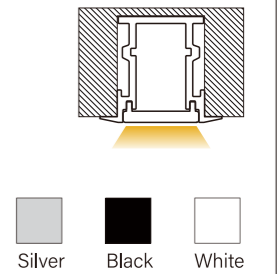
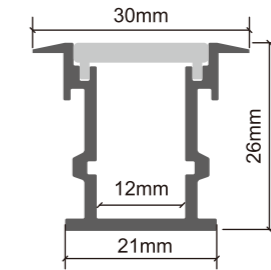
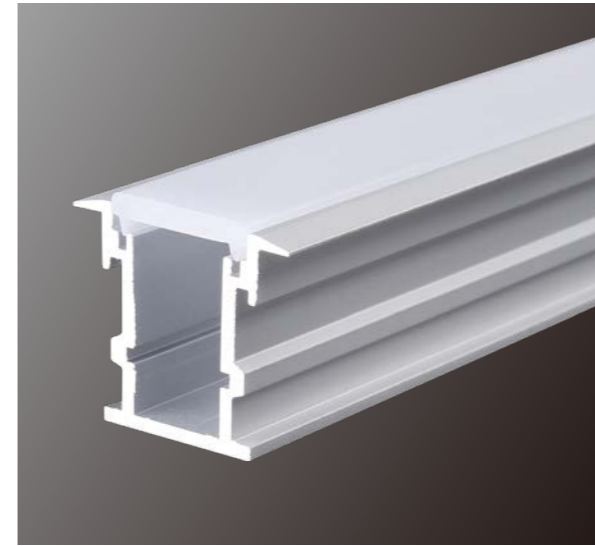


Model Number	AL-3020DMD-G
Material	6063-T5
Available lengths	0.5m/1m/1.5m/2m/3m
PCB Width	≤26mm
PC Cover	Milky

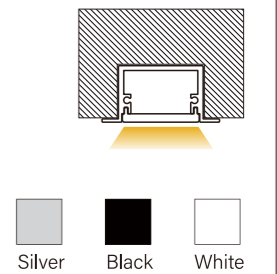
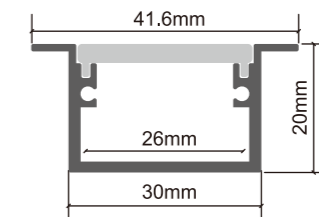
ALUMINUM PROFILES



Model Number	AL-5035DMD-G
Material	6063-T5
Available lengths	0.5m/1m/1.5m/2m/3m
PCB Width	≤45mm
PC Cover	Milky



Model Number	AL-2126A-G
Material	6063-T5
Available lengths	0.5m/1m/1.5m/2m/3m
PCB Width	≤12mm
PC Cover	Milky



Model Number	AL-3020A-DMD-G
Material	6063-T5
Available lengths	0.5m/1m/1.5m/2m/3m
PCB Width	≤26mm
PC Cover	Milky

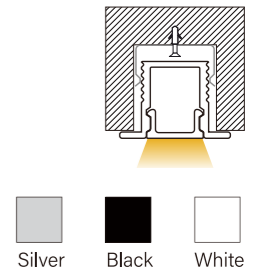
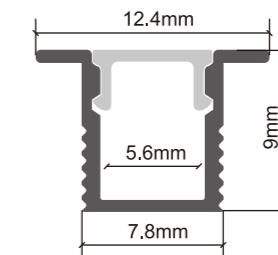
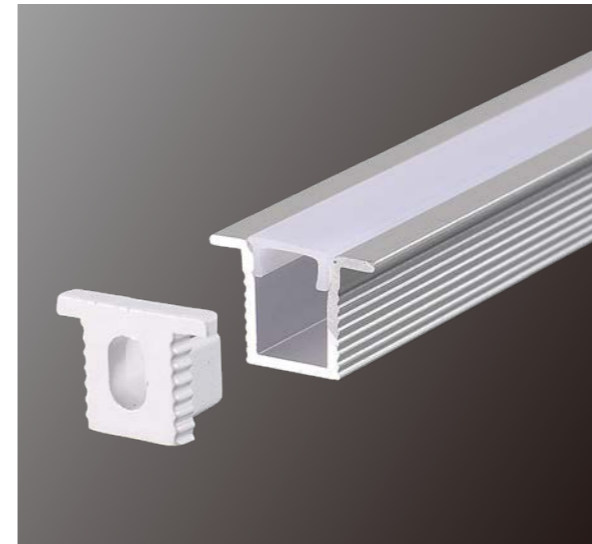


Recessed Mounted Aluminum Profile

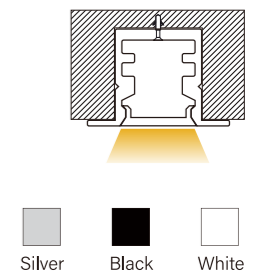
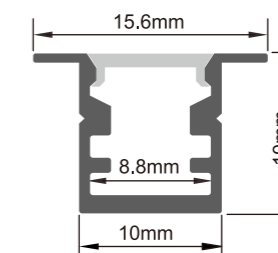
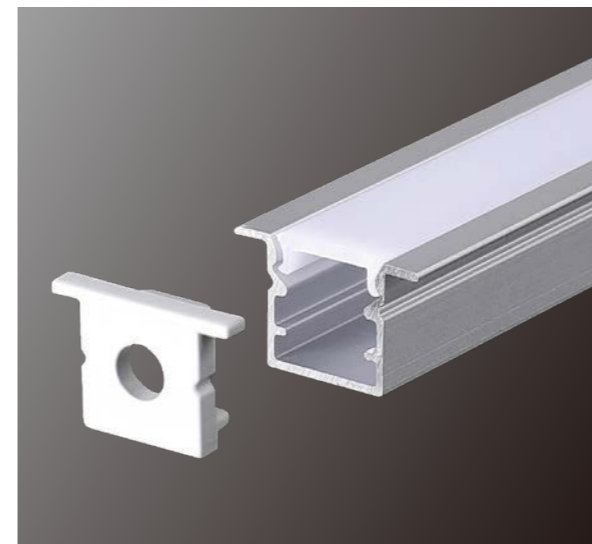
This profile is compact, slim, and easy to install, perfect for under cabinet, under stairs, closets, exhibits, furniture, work stations, etc.

- 1.LED strip light channels are made from high-quality aluminum and other materials. The LED strip covers are sturdy and will last you ages.
- 2.LED strip mounting channels are available in both clear and frosted finishes so you can choose the LED light effect you like.
- 3.LED strip holders come with highly adhesive 3M stickers as well as mounting clips so you easily install the strip housings on any surface you like.
- 4.Can customize the size, length, finish, and other features of your LED channel tracks. Can help design LED aluminum extrusions to your exact requirements.

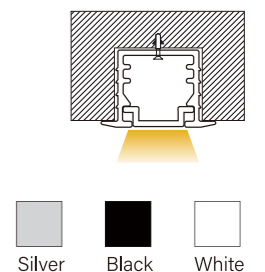
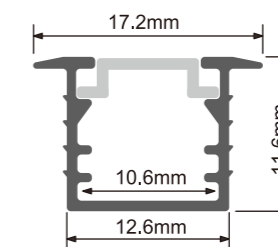
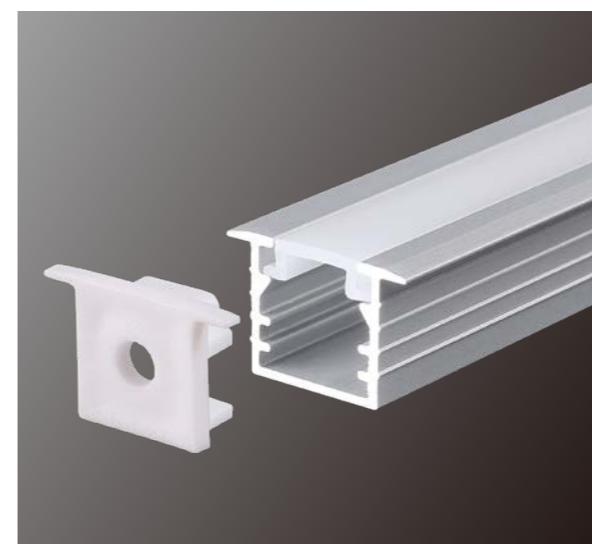
ALUMINUM PROFILES



Model Number	AL-0809A
Material	6063-T5
Available lengths	0.5m/1m/1.5m/2m/3m
PCB Width	≤5.6mm
PC Cover	Milky



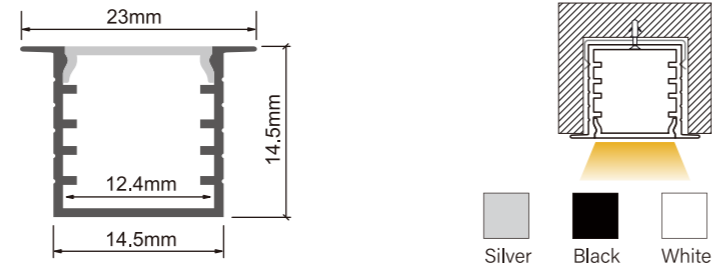
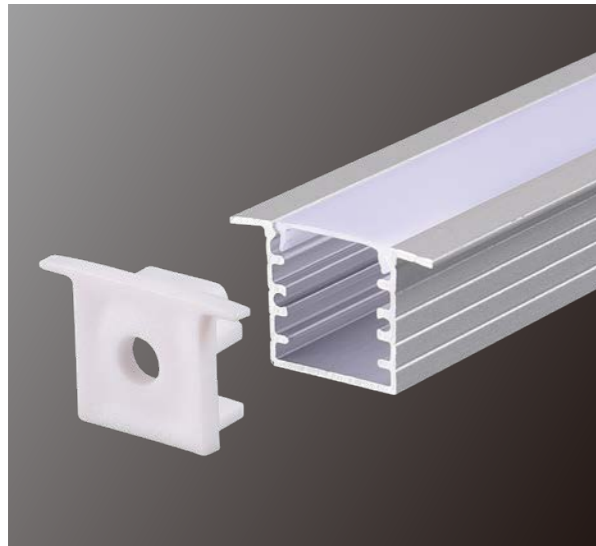
Model Number	AL-1010A-1
Material	6063-T5
Available lengths	0.5m/1m/1.5m/2m/3m
PCB Width	≤8.8mm
PC Cover	Milky



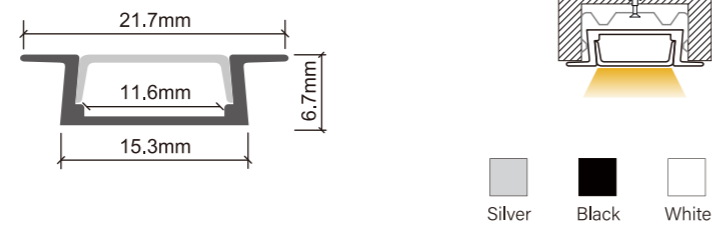
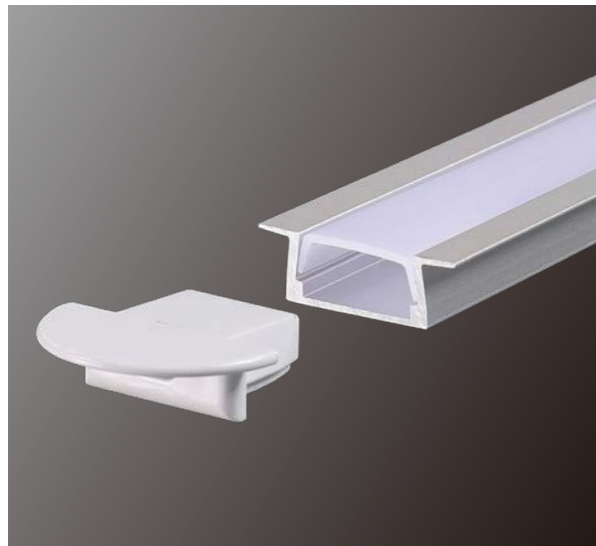
Model Number	AL-1312A
Material	6063-T5
Available lengths	0.5m/1m/1.5m/2m/3m
PCB Width	≤10.6mm
PC Cover	Milky

Remarks: Customized Design Size and Spec Available

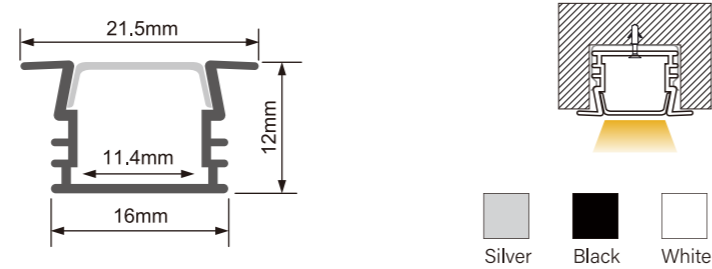
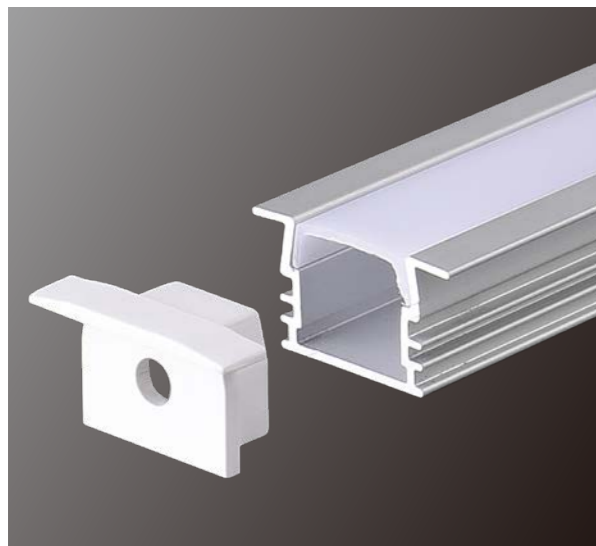
ALUMINUM PROFILES



Model Number	AL-1414A-1
Material	6063-T5
Available lengths	0.5m/1m/1.5m/2m/3m
PCB Width	≤12.4mm
PC Cover	Milky



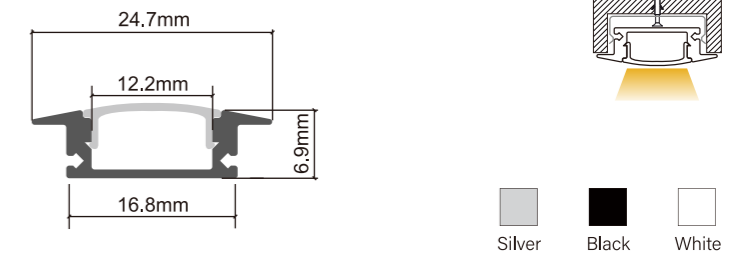
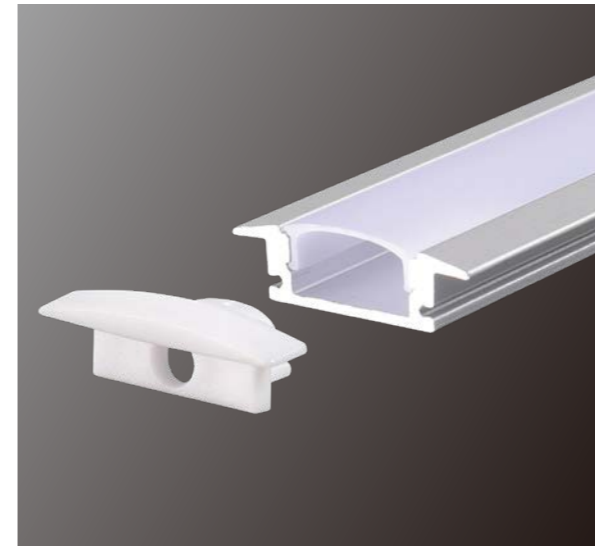
Model Number	AL-1507A
Material	6063-T5
Available lengths	0.5m/1m/1.5m/2m/3m
PCB Width	≤11.6mm
PC Cover	Milky



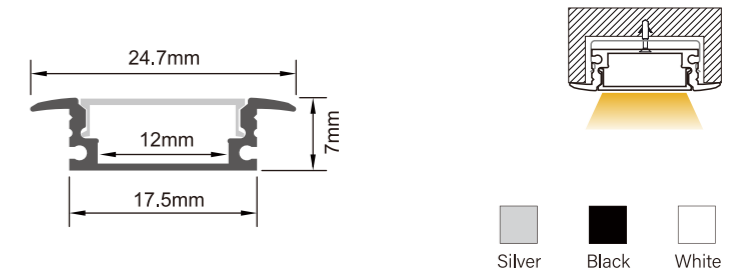
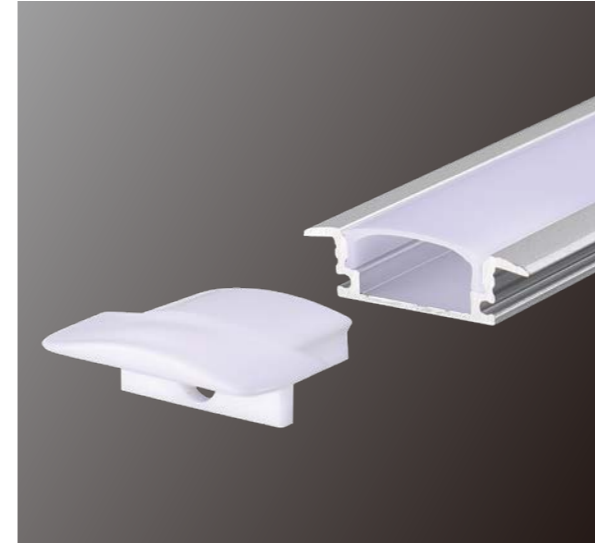
Model Number	AL-1612A
Material	6063-T5
Available lengths	0.5m/1m/1.5m/2m/3m
PCB Width	≤11.4mm
PC Cover	Milky

Remarks: Customized Design Size and Spec Available

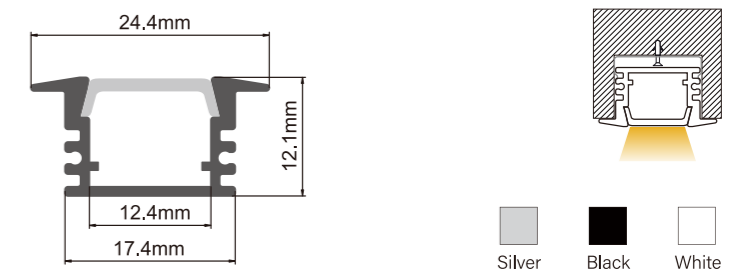
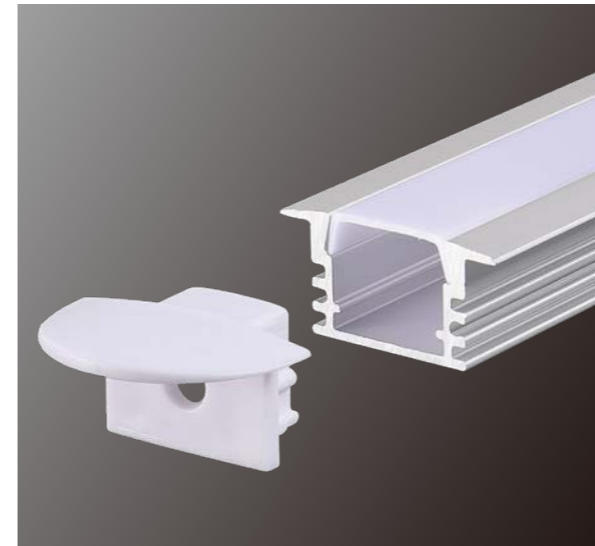
ALUMINUM PROFILES



Model Number	AL-1707A-1
Material	6063-T5
Available lengths	0.5m/1m/1.5m/2m/3m
PCB Width	≤12.2mm
PC Cover	Milky



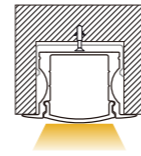
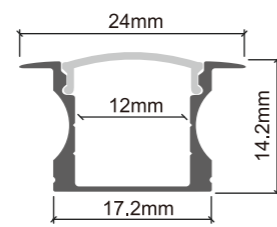
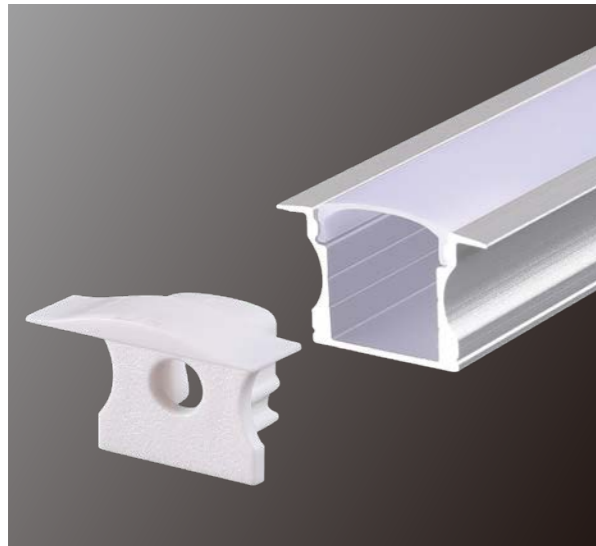
Model Number	AL-1707A-2
Material	6063-T5
Available lengths	0.5m/1m/1.5m/2m/3m
PCB Width	≤12mm
PC Cover	Milky



Model Number	AL-1712A
Material	6063-T5
Available lengths	0.5m/1m/1.5m/2m/3m
PCB Width	≤12.4mm
PC Cover	Milky

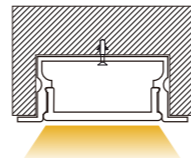
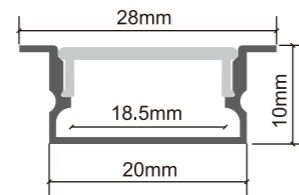
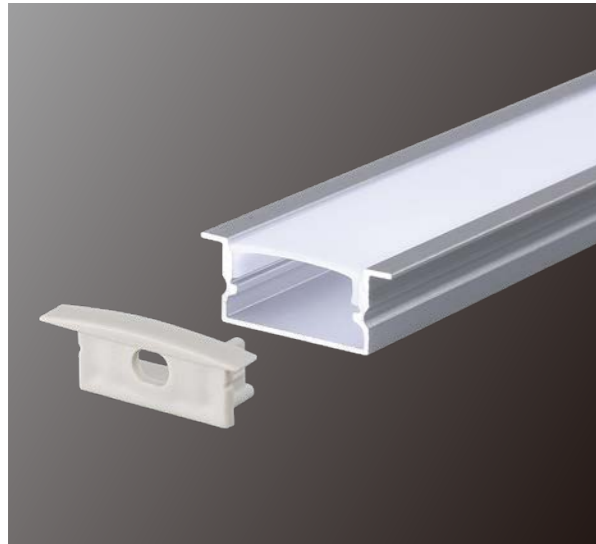
Remarks: Customized Design Size and Spec Available

ALUMINUM PROFILES



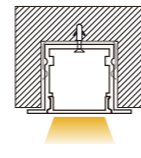
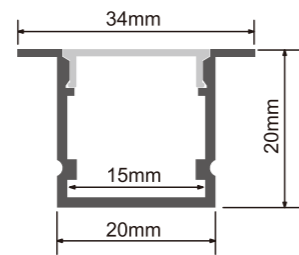
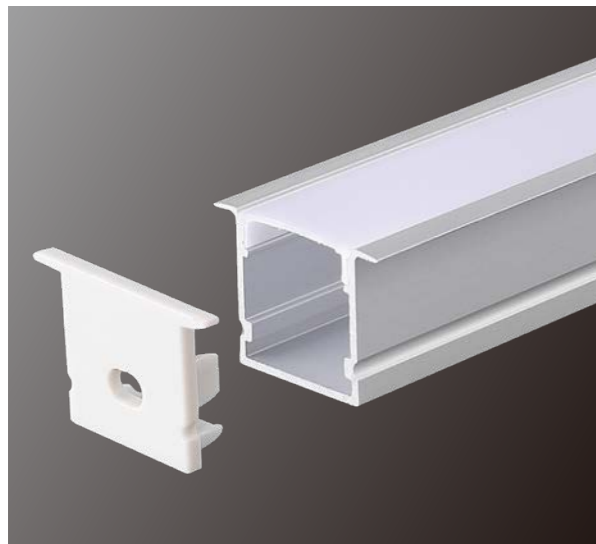
Silver
 Black
 White

Model Number	AL-1714A-2
Material	6063-T5
Available lengths	0.5m/1m/1.5m/2m/3m
PCB Width	≤14mm
PC Cover	Milky



Silver
 Black
 White

Model Number	AL-2010A
Material	6063-T5
Available lengths	0.5m/1m/1.5m/2m/3m
PCB Width	≤18.5mm
PC Cover	Milky

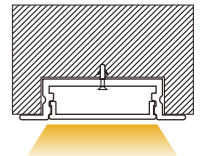
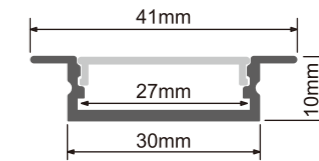
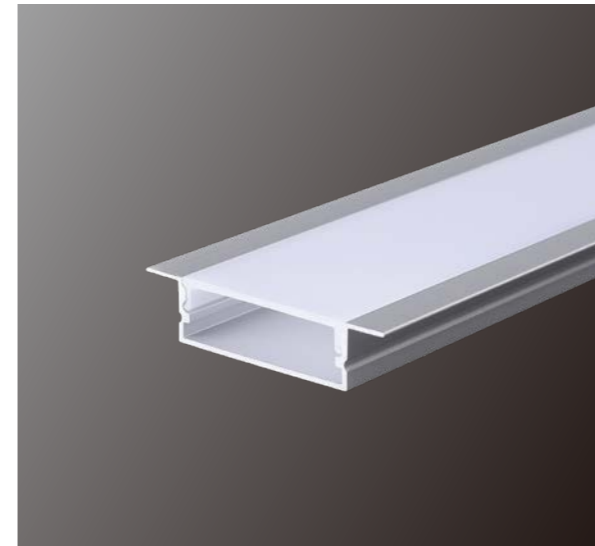


Silver
 Black
 White

Model Number	AL-2020A
Material	6063-T5
Available lengths	0.5m/1m/1.5m/2m/3m
PCB Width	≤15mm
PC Cover	Milky

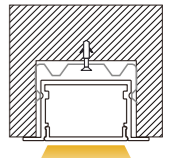
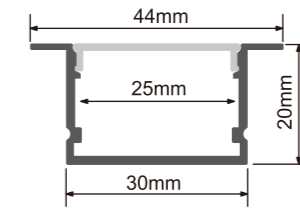
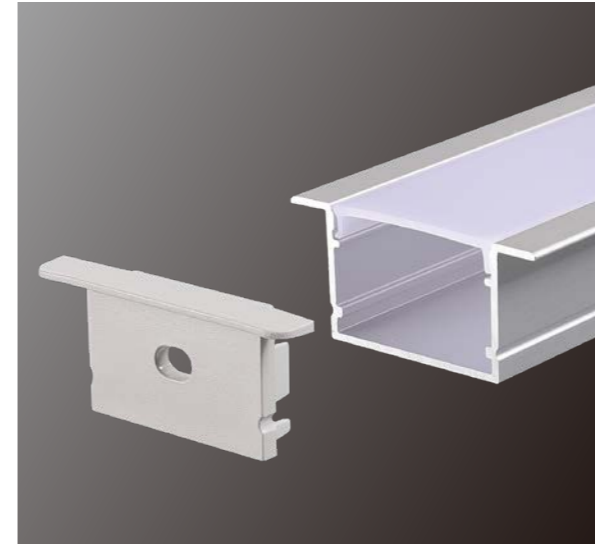
Remarks: Customized Design Size and Spec Available

ALUMINUM PROFILES



Silver
 Black
 White

Model Number	AL-3010A
Material	6063-T5
Available lengths	0.5m/1m/1.5m/2m/3m
PCB Width	≤27mm
PC Cover	Milky



Silver
 Black
 White

Model Number	AL-3020A
Material	6063-T5
Available lengths	0.5m/1m/1.5m/2m/3m
PCB Width	≤25mm
PC Cover	Milky

Remarks: Customized Design Size and Spec Available

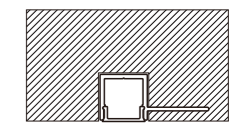
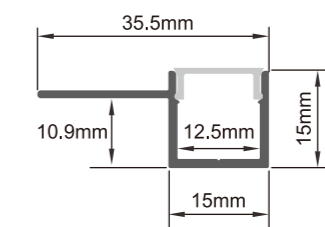
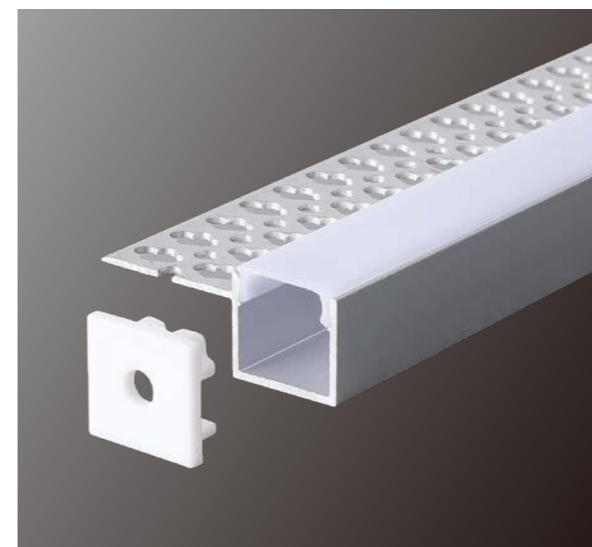


Gypsum Plaster Aluminum Profile

The profile can also be used on the inner corners of plastered walls, Specially designed to be plastered into a wall, with a seamless finish.

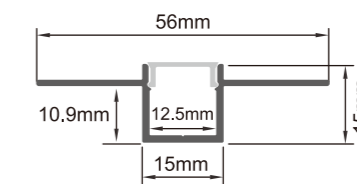
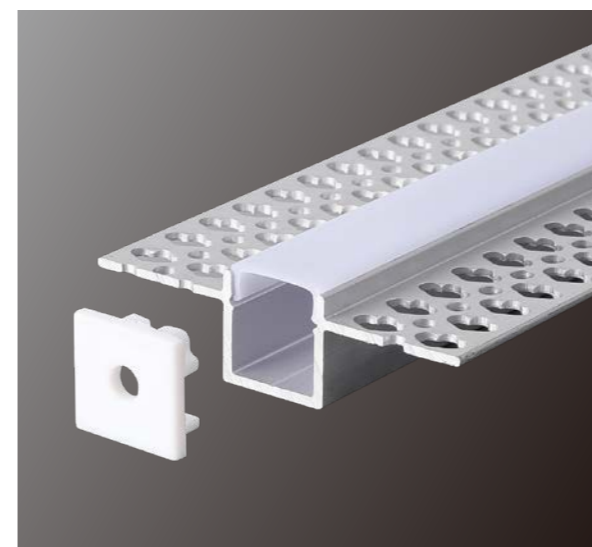
- 1.LED strip light channels are made from high-quality aluminum and other materials. The LED strip covers are sturdy and will last you ages.
- 2.LED strip mounting channels are available in both clear and frosted finishes so you can choose the LED light effect you like.
- 3.LED strip holders come with highly adhesive 3M stickers as well as mounting clips so you easily install the strip housings on any surface you like.
- 4.Can customize the size, length, finish, and other features of your LED channel tracks. Can help design LED aluminum extrusions to your exact requirements.

ALUMINUM PROFILES



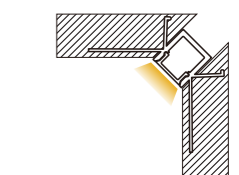
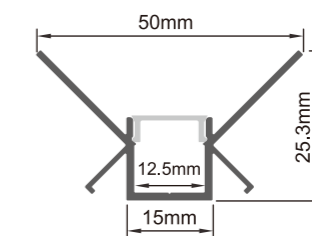
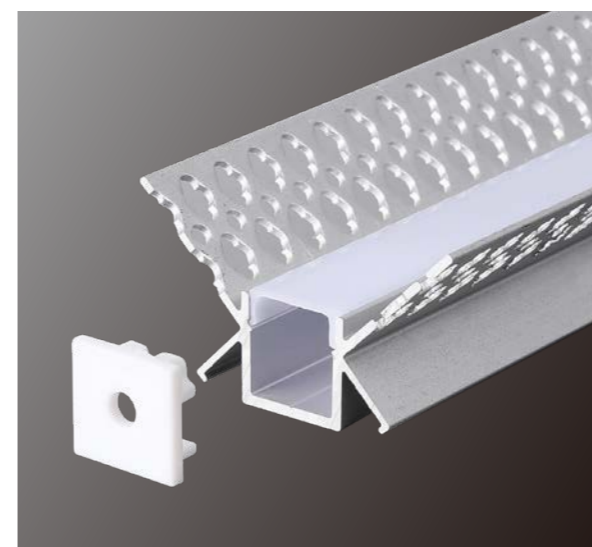
Silver
 Black
 White

Model Number	SEAL-3515-B
Material	6063-T5
Available lengths	0.5m/1m/1.5m/2m/3m
PCB Width	≤12.5mm
PC Cover	Milky



Silver
 Black
 White

Model Number	SEAL-5615-B
Material	6063-T5
Available lengths	0.5m/1m/1.5m/2m/3m
PCB Width	≤12.5mm
PC Cover	Milky

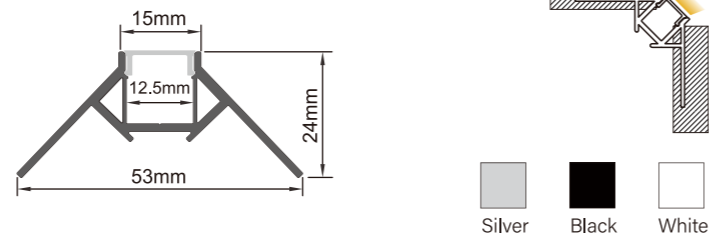


Silver
 Black
 White

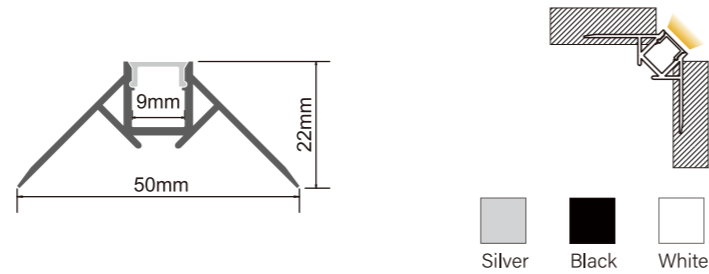
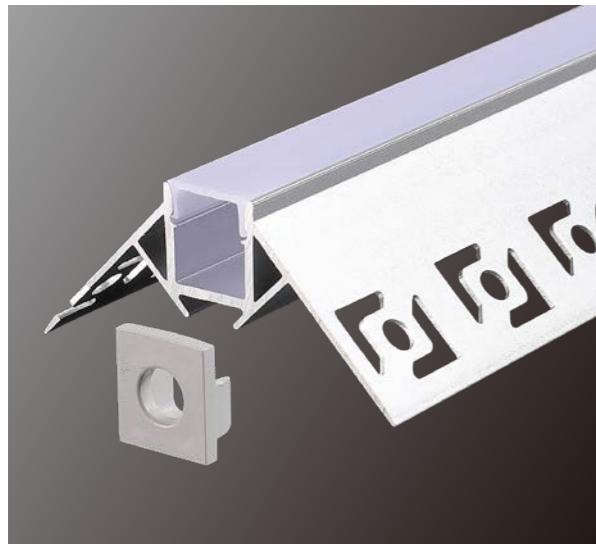
Model Number	SEAL-4625-B
Material	6063-T5
Available lengths	0.5m/1m/1.5m/2m/3m
PCB Width	≤12.5mm
PC Cover	Milky

Remarks: Customized Design Size and Spec Available

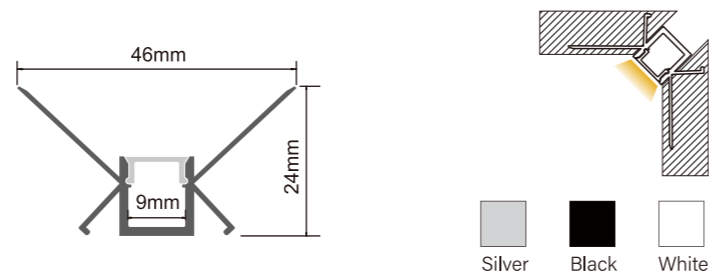
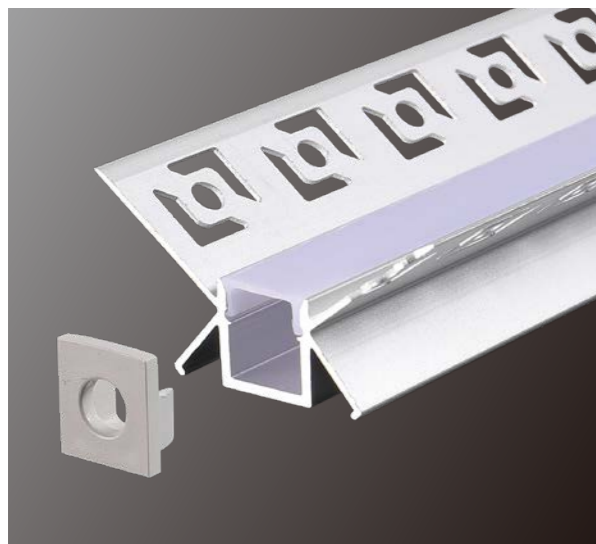
ALUMINUM PROFILES



Model Number	SEAL-5324-B
Material	6063-T5
Available lengths	0.5m/1m/1.5m/2m/3m
PCB Width	≤12.5mm
PC Cover	Milky



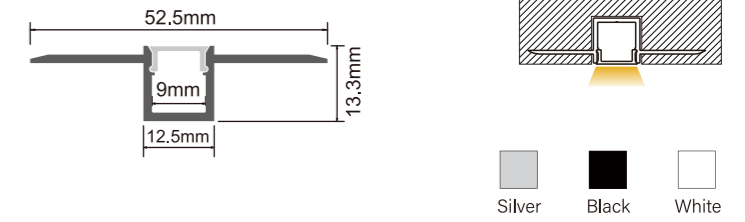
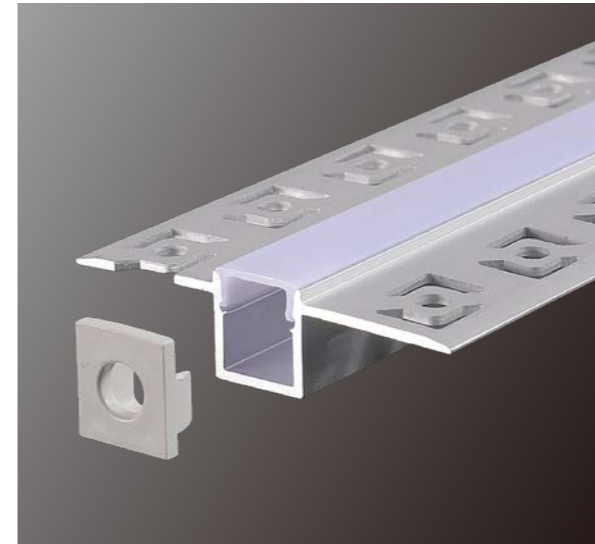
Model Number	SEAL-5022
Material	6063-T5
Available lengths	0.5m/1m/1.5m/2m/3m
PCB Width	≤9mm
PC Cover	Milky



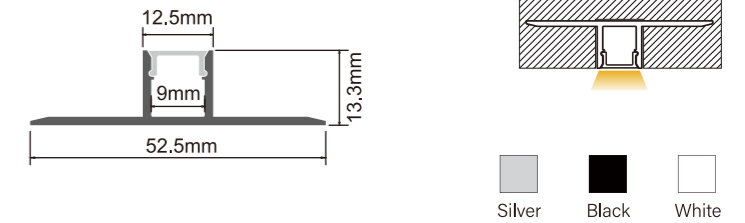
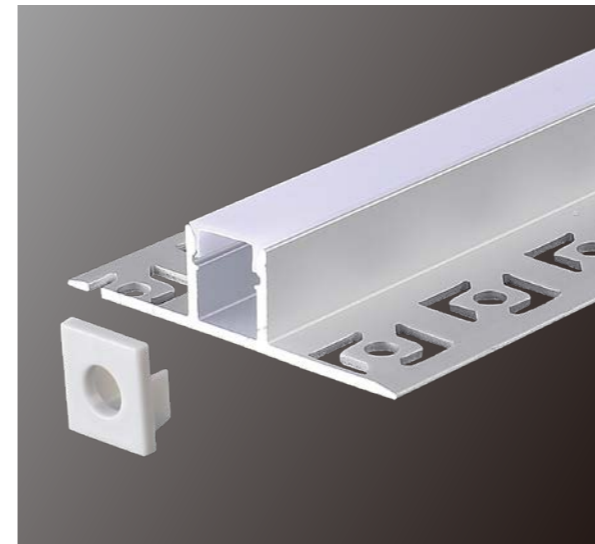
Model Number	SEAL-4624
Material	6063-T5
Available lengths	0.5m/1m/1.5m/2m/3m
PCB Width	≤9mm
PC Cover	Milky

Remarks: Customized Design Size and Spec Available

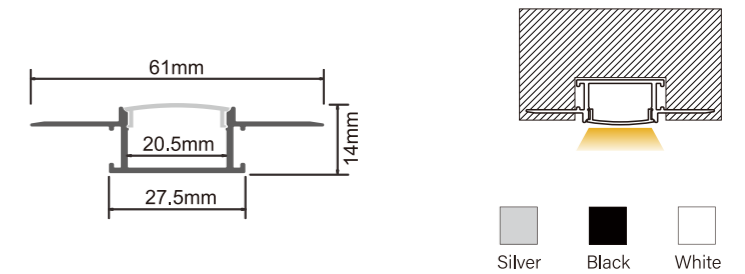
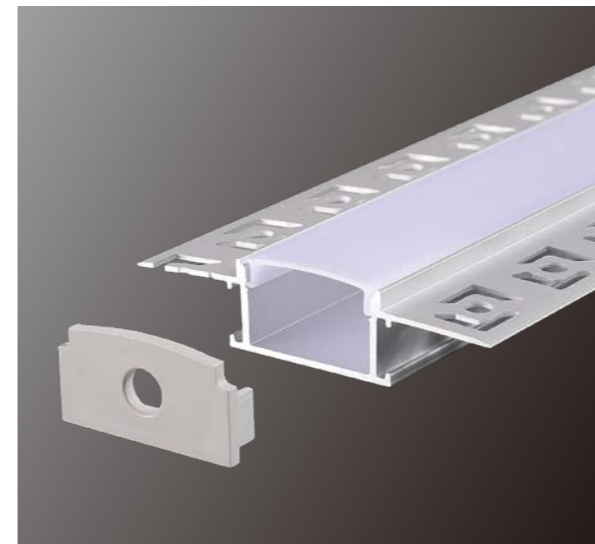
ALUMINUM PROFILES



Model Number	SEAL-5313
Material	6063-T5
Available lengths	0.5m/1m/1.5m/2m/3m
PCB Width	≤9mm
PC Cover	Milky



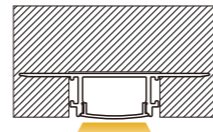
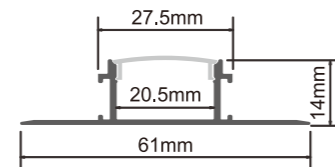
Model Number	SEAL-5313A
Material	6063-T5
Available lengths	0.5m/1m/1.5m/2m/3m
PCB Width	≤9mm
PC Cover	Milky



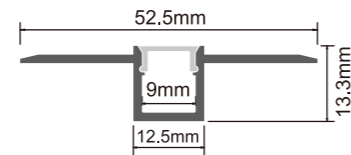
Model Number	SEAL-6114
Material	6063-T5
Available lengths	0.5m/1m/1.5m/2m/3m
PCB Width	≤20.5mm
PC Cover	Milky

Remarks: Customized Design Size and Spec Available

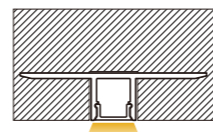
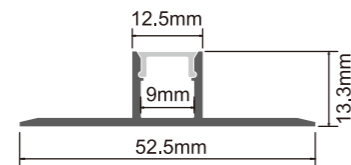
ALUMINUM PROFILES



Model Number	SEAL-6114A
Material	6063-T5
Available lengths	0.5m/1m/1.5m/2m/3m
PCB Width	≤20.5mm
PC Cover	Milky



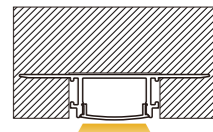
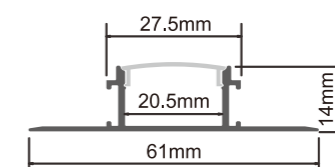
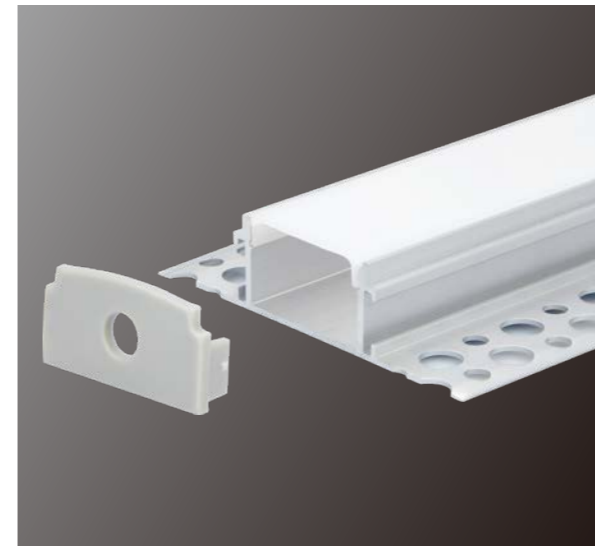
Model Number	SEAL-5313-1
Material	6063-T5
Available lengths	0.5m/1m/1.5m/2m/3m
PCB Width	≤9mm
PC Cover	Milky



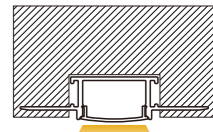
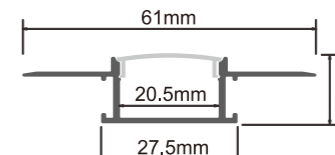
Model Number	SEAL-5313-B
Material	6063-T5
Available lengths	0.5m/1m/1.5m/2m/3m
PCB Width	≤9mm
PC Cover	Milky

Remarks: Customized Design Size and Spec Available

ALUMINUM PROFILES



Model Number	SEAL-6114B
Material	6063-T5
Available lengths	0.5m/1m/1.5m/2m/3m
PCB Width	≤20.5mm
PC Cover	Milky



Model Number	SEAL-6114-1
Material	6063-T5
Available lengths	0.5m/1m/1.5m/2m/3m
PCB Width	≤20.5mm
PC Cover	Milky

Remarks: Customized Design Size and Spec Available



LED Office Light Aluminum Profile

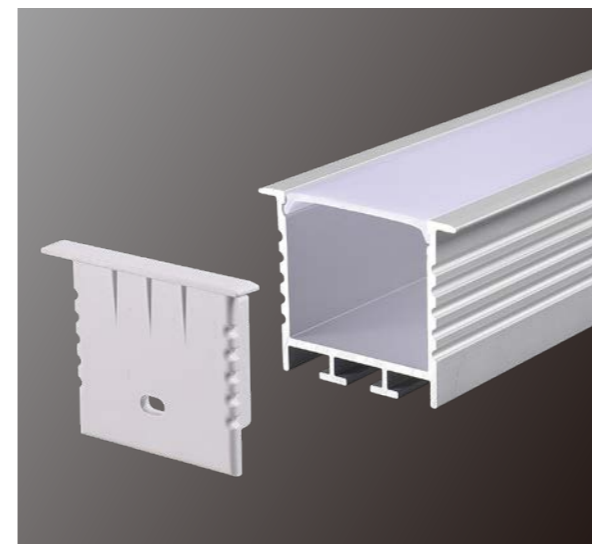
This profile is compact, slim, and easy to install, Suit for Office, furniture, shop stores, exhibition booth lighting application etc.

- 1.LED strip light channels are made from high-quality aluminum and other materials. The LED strip covers are sturdy and will last you ages.
- 2.LED strip mounting channels are available in both clear and frosted finishes so you can choose the LED light effect you like.
- 3.LED strip holders come with highly adhesive 3M stickers as well as mounting clips so you easily install the strip housings on any surface you like.
- 4.Can customize the size, length, finish, and other features of your LED channel tracks. Can help design LED aluminum extrusions to your exact requirements.

ALUMINUM PROFILES



Model Number	AL-3626-717
Material	6063-T5
Available lengths	0.5m/1m/1.5m/2m/3m
PCB Width	≤33.53mm
PC Cover	Milky



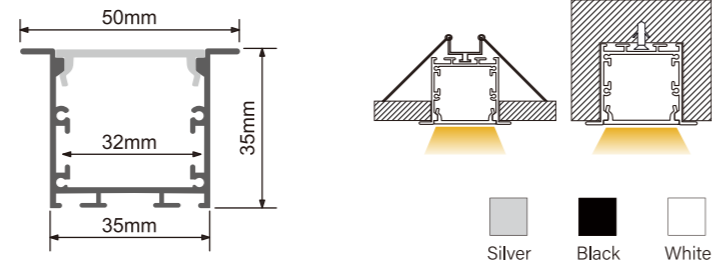
Model Number	AL-3535A-711
Material	6063-T5
Available lengths	0.5m/1m/1.5m/2m/3m
PCB Width	≤31.6mm
PC Cover	Milky



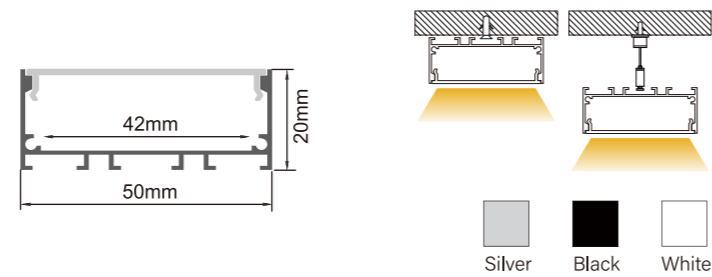
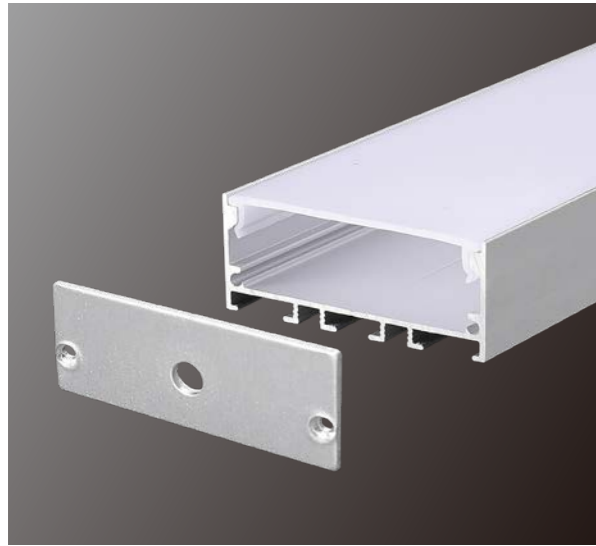
Model Number	AL-3535
Material	6063-T5
Available lengths	0.5m/1m/1.5m/2m/3m
PCB Width	≤32mm
PC Cover	Milky

Remarks: Customized Design Size and Spec Available

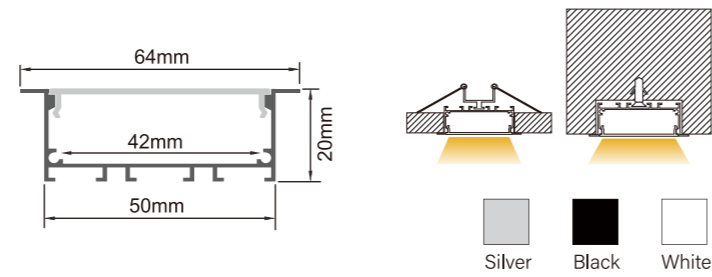
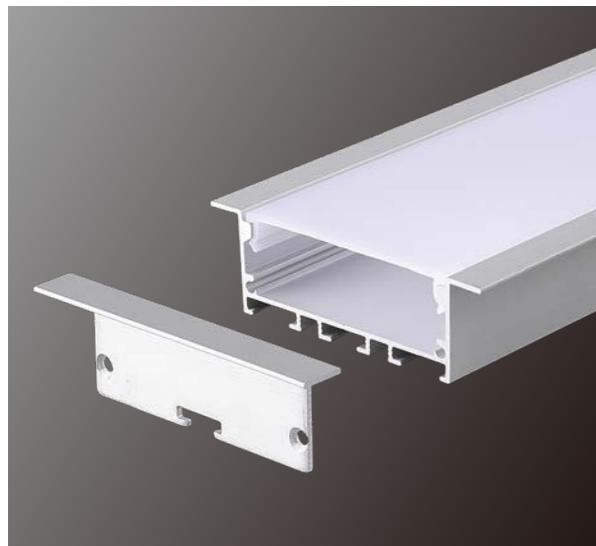
ALUMINUM PROFILES



Model Number	AL-3535A
Material	6063-T5
Available lengths	0.5m/1m/1.5m/2m/3m
PCB Width	≤32mm
PC Cover	Milky



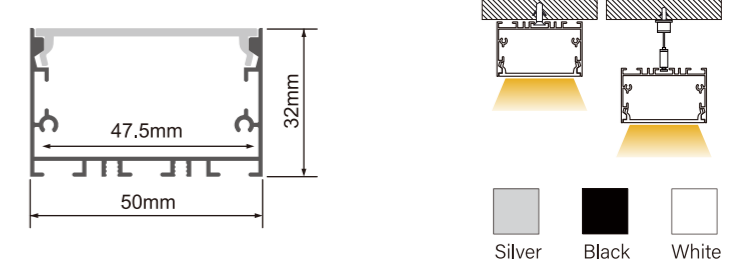
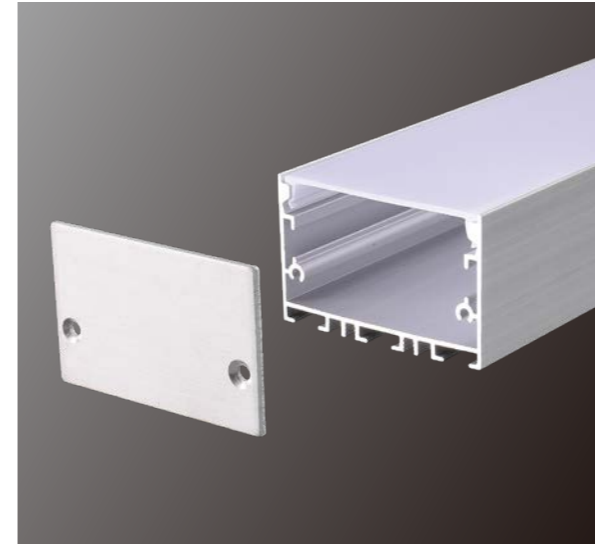
Model Number	AL-5020
Material	6063-T5
Available lengths	0.5m/1m/1.5m/2m/3m
PCB Width	≤42mm
PC Cover	Milky



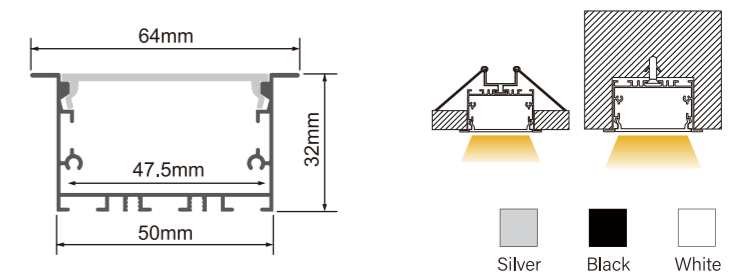
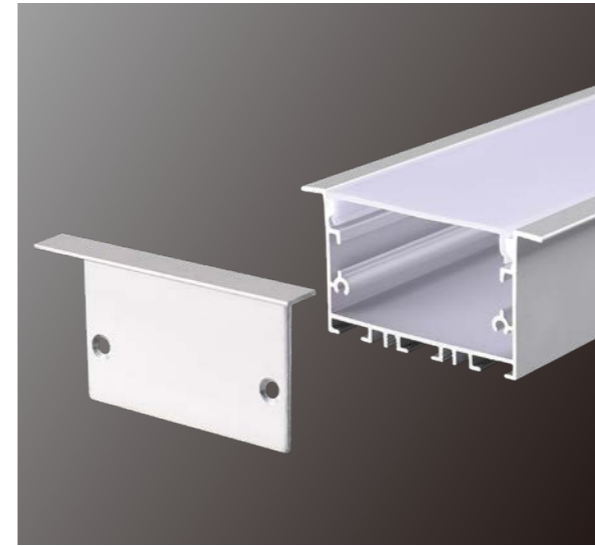
Model Number	AL-5020A
Material	6063-T5
Available lengths	0.5m/1m/1.5m/2m/3m
PCB Width	≤42mm
PC Cover	Milky

Remarks: Customized Design Size and Spec Available

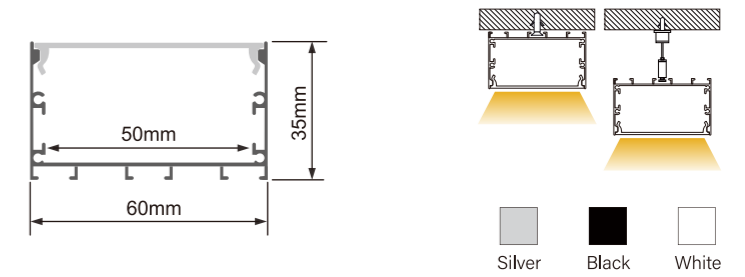
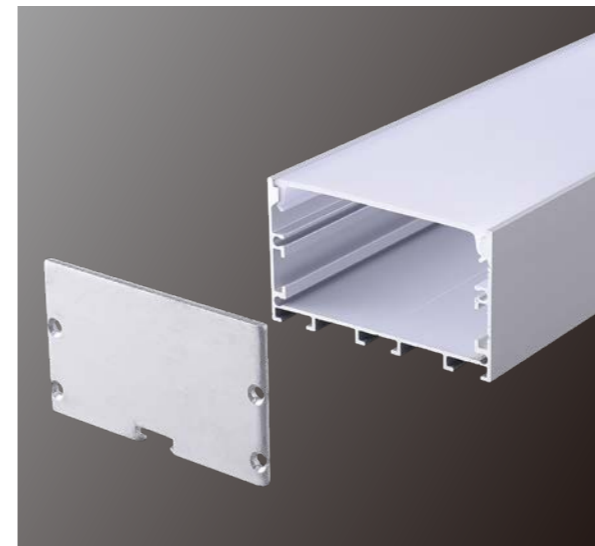
ALUMINUM PROFILES



Model Number	AL-5032
Material	6063-T5
Available lengths	0.5m/1m/1.5m/2m/3m
PCB Width	≤47.5mm
PC Cover	Milky



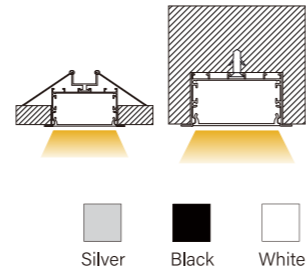
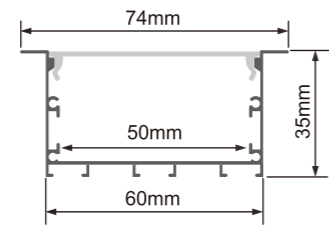
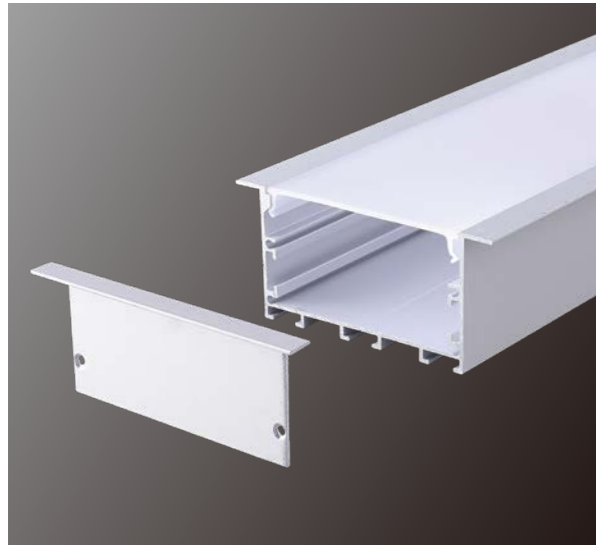
Model Number	AL-5032A
Material	6063-T5
Available lengths	0.5m/1m/1.5m/2m/3m
PCB Width	≤47.5mm
PC Cover	Milky



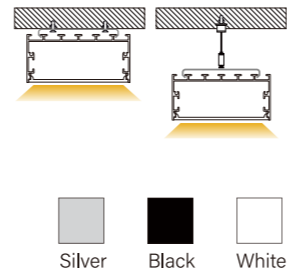
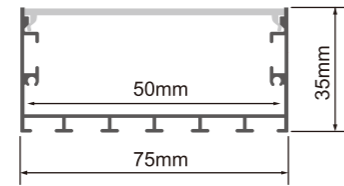
Model Number	AL-6035
Material	6063-T5
Available lengths	0.5m/1m/1.5m/2m/3m
PCB Width	≤50mm
PC Cover	Milky

Remarks: Customized Design Size and Spec Available

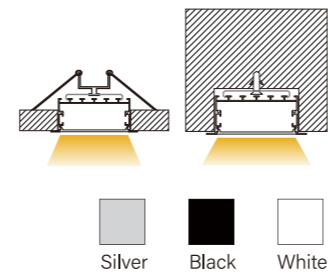
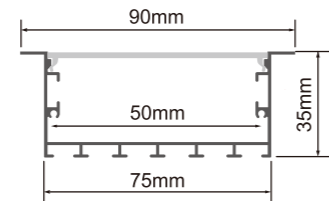
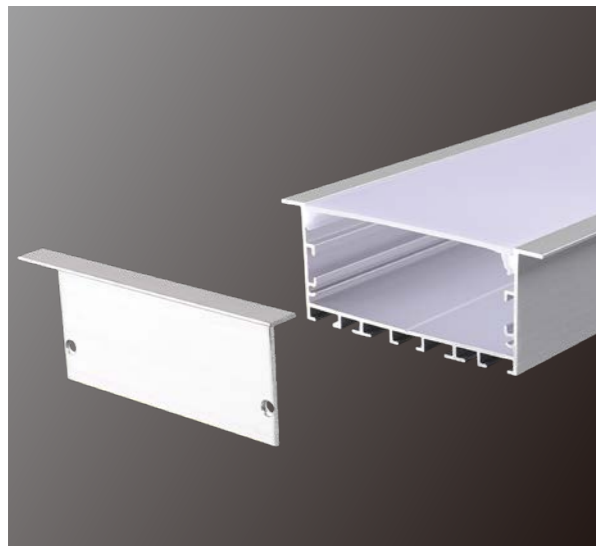
ALUMINUM PROFILES



Model Number	AL-6035A
Material	6063-T5
Available lengths	0.5m/1m/1.5m/2m/3m
PCB Width	≤50mm
PC Cover	Milky



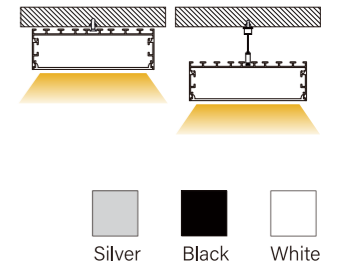
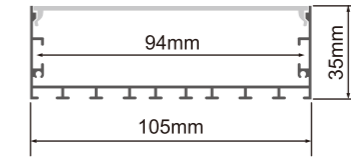
Model Number	AL-7535
Material	6063-T5
Available lengths	0.5m/1m/1.5m/2m/3m
PCB Width	≤50mm
PC Cover	Milky



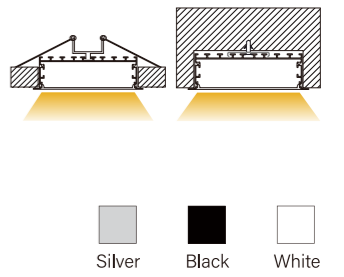
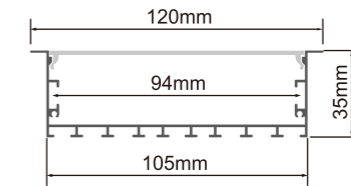
Model Number	AL-7535A
Material	6063-T5
Available lengths	0.5m/1m/1.5m/2m/3m
PCB Width	≤50mm
PC Cover	Milky

Remarks: Customized Design Size and Spec Available

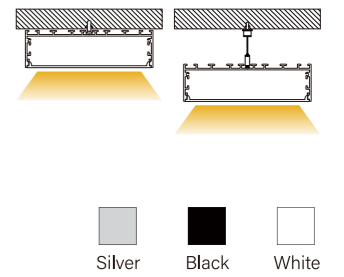
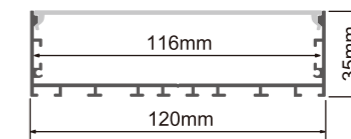
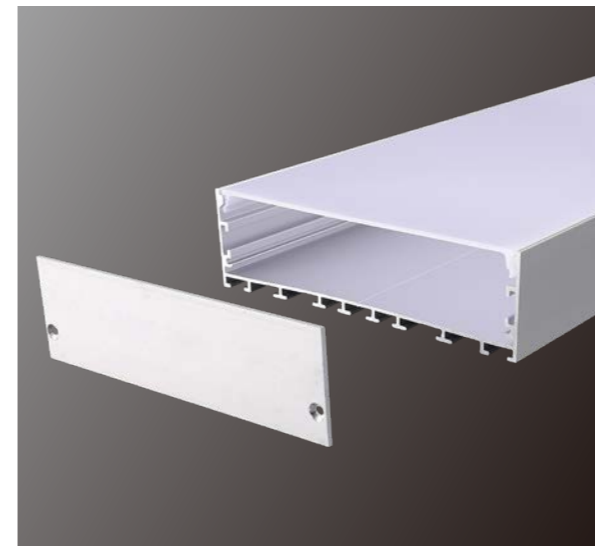
ALUMINUM PROFILES



Model Number	AL-10035
Material	6063-T5
Available lengths	0.5m/1m/1.5m/2m/3m
PCB Width	≤94mm
PC Cover	Milky



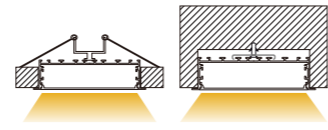
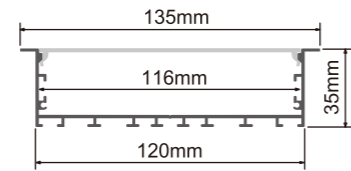
Model Number	AL-10035A
Material	6063-T5
Available lengths	0.5m/1m/1.5m/2m/3m
PCB Width	≤94mm
PC Cover	Milky



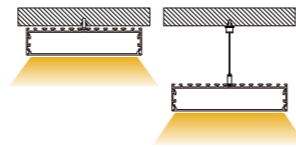
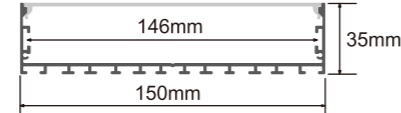
Model Number	AL-12035
Material	6063-T5
Available lengths	0.5m/1m/1.5m/2m/3m
PCB Width	≤116mm
PC Cover	Milky

Remarks: Customized Design Size and Spec Available

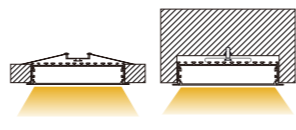
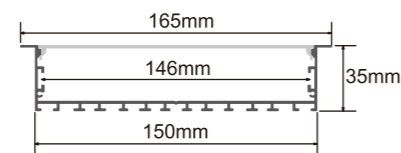
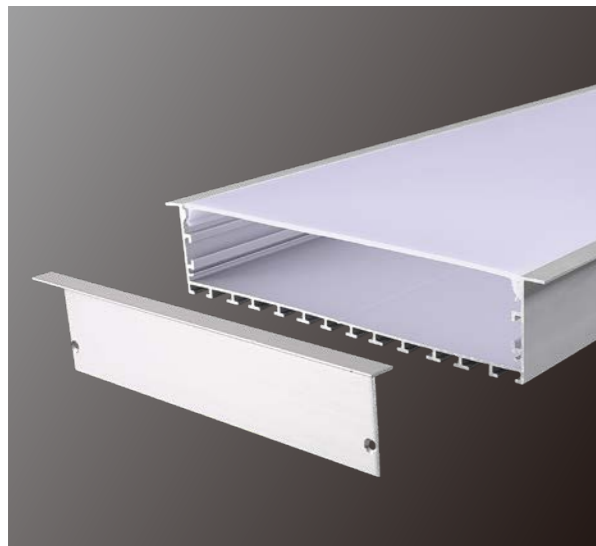
ALUMINUM PROFILES



Model Number	AL-12035A
Material	6063-T5
Available lengths	0.5m/1m/1.5m/2m/3m
PCB Width	≤116mm
PC Cover	Milky



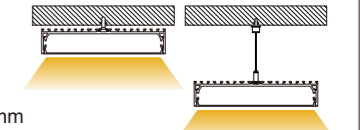
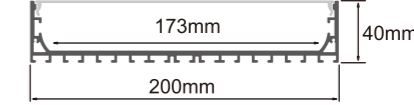
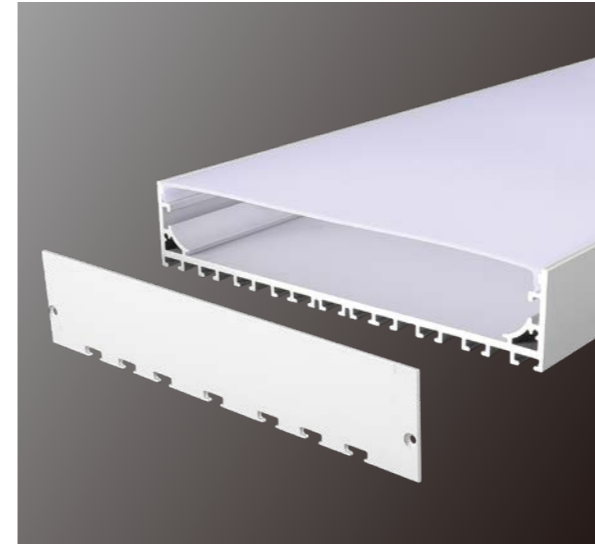
Model Number	AL-15035
Material	6063-T5
Available lengths	0.5m/1m/1.5m/2m/3m
PCB Width	≤146mm
PC Cover	Milky



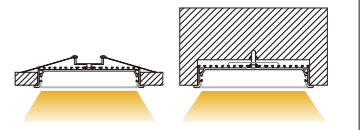
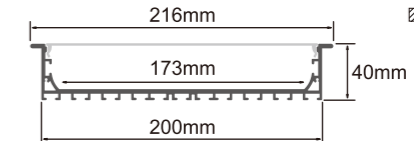
Model Number	AL-15035A
Material	6063-T5
Available lengths	0.5m/1m/1.5m/2m/3m
PCB Width	≤146mm
PC Cover	Milky

Remarks: Customized Design Size and Spec Available

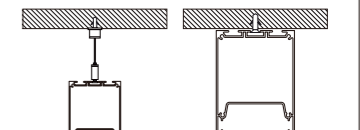
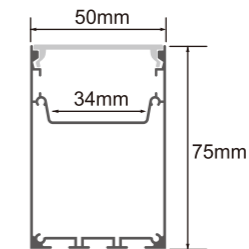
ALUMINUM PROFILES



Model Number	AL-20040
Material	6063-T5
Available lengths	0.5m/1m/1.5m/2m/3m
PCB Width	≤173mm
PC Cover	Milky



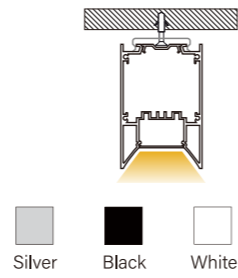
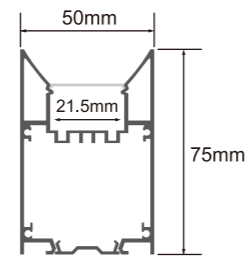
Model Number	AL-20040A
Material	6063-T5
Available lengths	0.5m/1m/1.5m/2m/3m
PCB Width	≤173mm
PC Cover	Milky



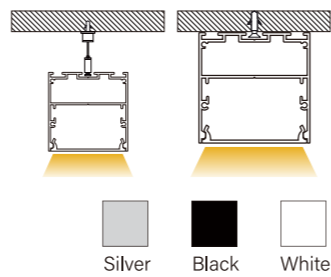
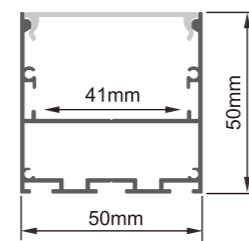
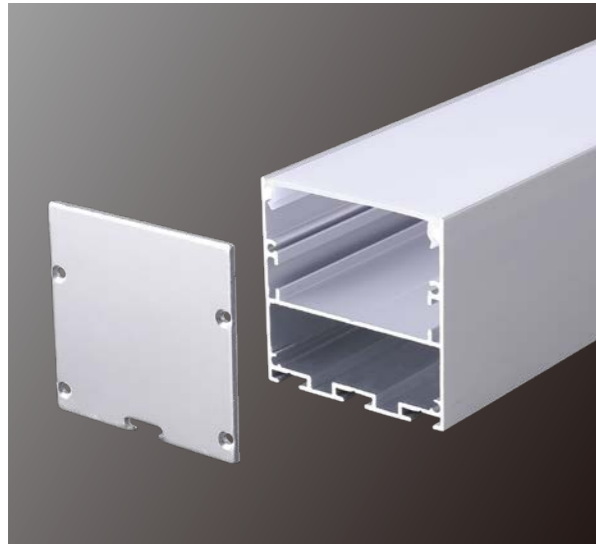
Model Number	AL-5075B
Material	6063-T5
Available lengths	0.5m/1m/1.5m/2m/3m
PCB Width	≤34mm
PC Cover	Milky

Remarks: Customized Design Size and Spec Available

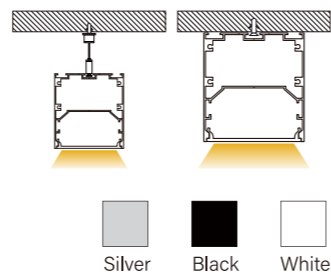
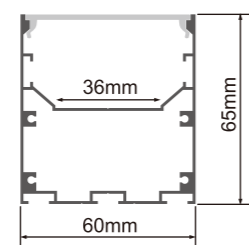
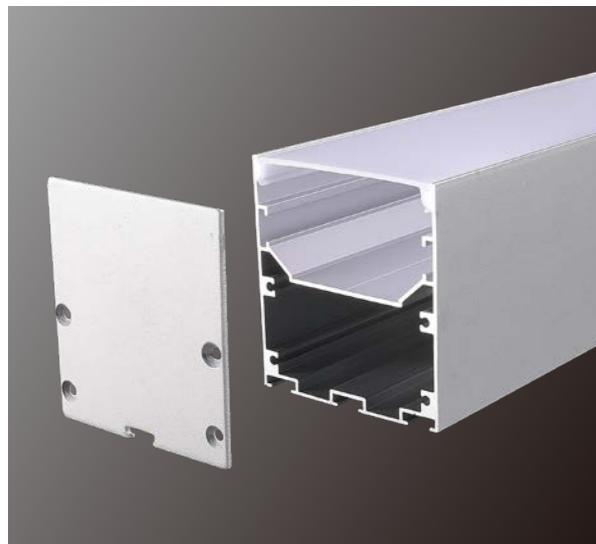
ALUMINUM PROFILES



Model Number	AL-5075R
Material	6063-T5
Available lengths	0.5m/1m/1.5m/2m/3m
PCB Width	≤21.5mm
PC Cover	Milky



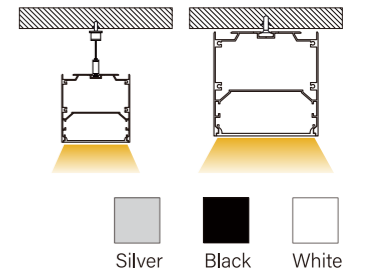
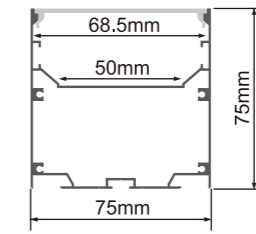
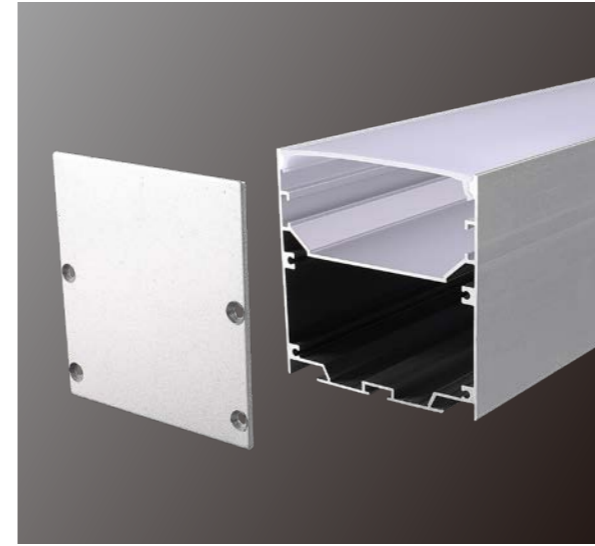
Model Number	AL-5050
Material	6063-T5
Available lengths	0.5m/1m/1.5m/2m/3m
PCB Width	≤41mm
PC Cover	Milky



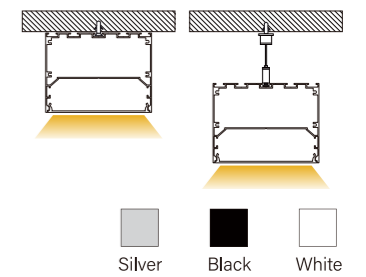
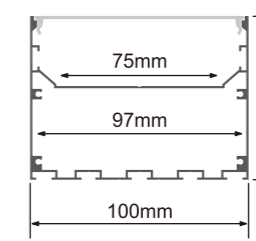
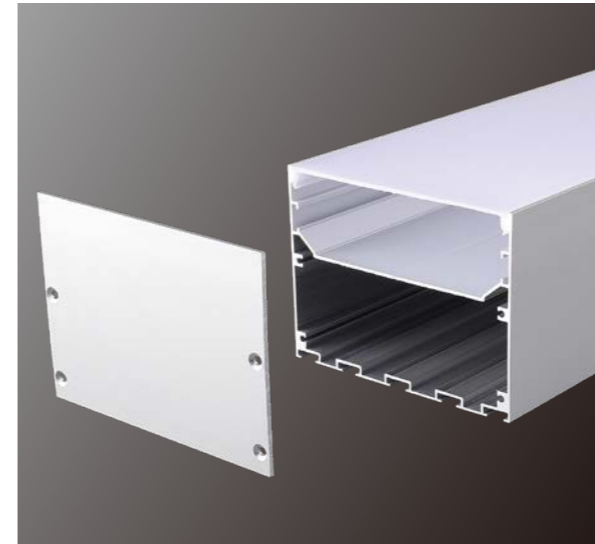
Model Number	AL-6065
Material	6063-T5
Available lengths	0.5m/1m/1.5m/2m/3m
PCB Width	≤36mm
PC Cover	Milky

Remarks: Customized Design Size and Spec Available

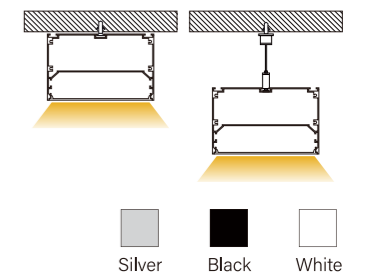
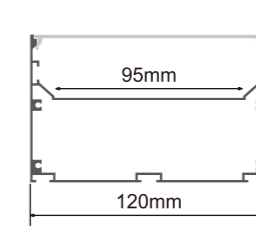
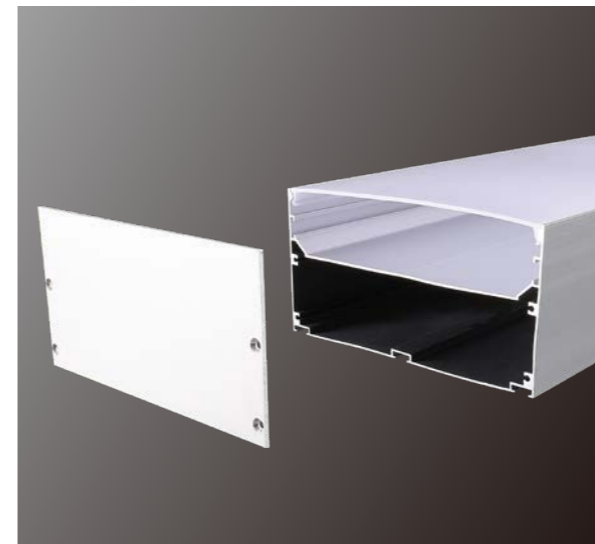
ALUMINUM PROFILES



Model Number	AL-7575
Material	6063-T5
Available lengths	0.5m/1m/1.5m/2m/3m
PCB Width	≤50mm
PC Cover	Milky



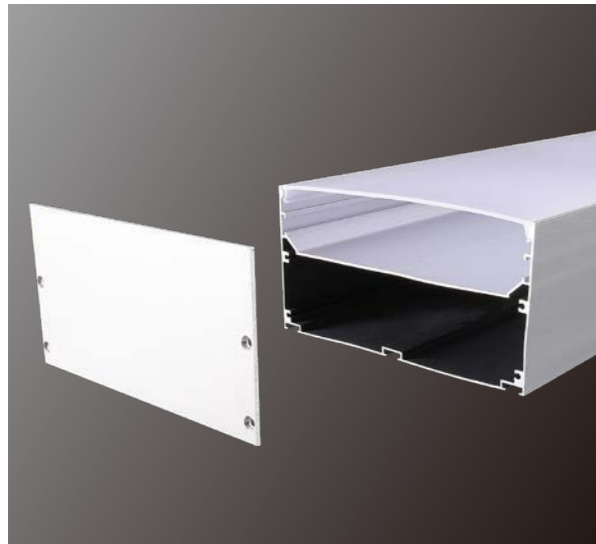
Model Number	AL-10075
Material	6063-T5
Available lengths	0.5m/1m/1.5m/2m/3m
PCB Width	≤75mm
PC Cover	Milky



Model Number	AL-12075
Material	6063-T5
Available lengths	0.5m/1m/1.5m/2m/3m
PCB Width	≤95mm
PC Cover	Milky

Remarks: Customized Design Size and Spec Available

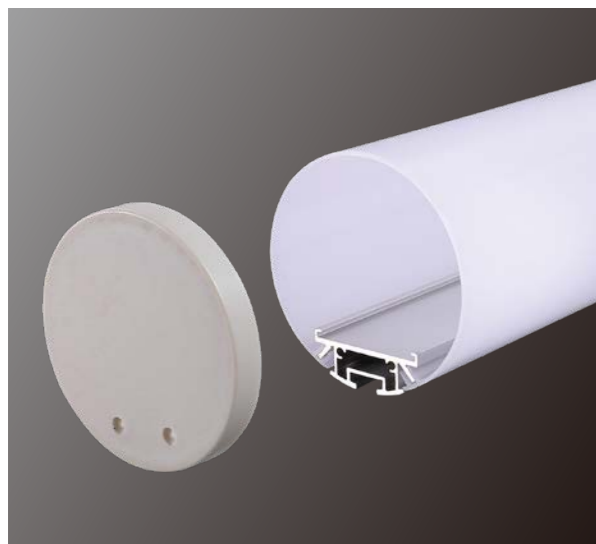
ALUMINUM PROFILES



Model Number	AL-15075
Material	6063-T5
Available lengths	0.5m/1m/1.5m/2m/3m
PCB Width	≤125mm
PC Cover	Milky



Model Number	AL-D30
Material	6063-T5
Available lengths	0.5m/1m/1.5m/2m/3m
PCB Width	≤20mm
PC Cover	Milky



Model Number	AL-D60
Material	6063-T5
Available lengths	0.5m/1m/1.5m/2m/3m
PCB Width	≤30mm
PC Cover	Milky

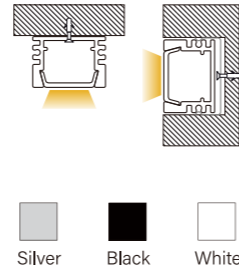
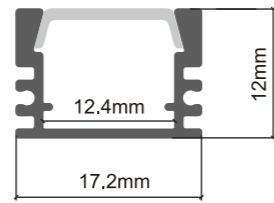
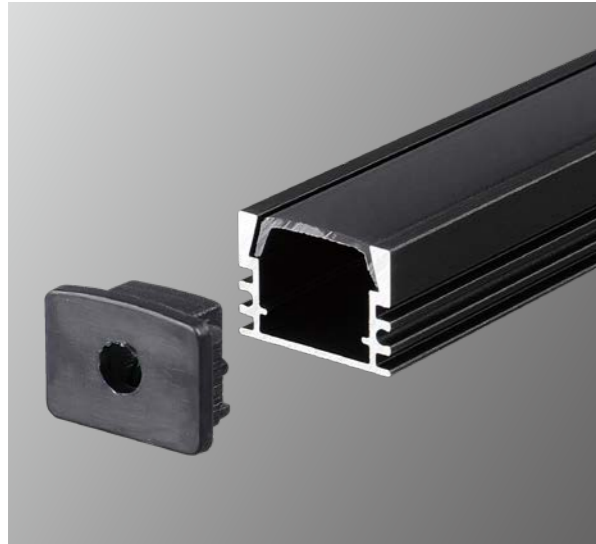


Black Series Aluminum Profile

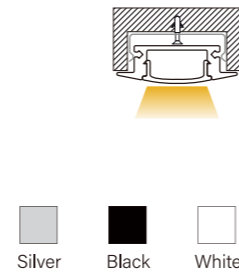
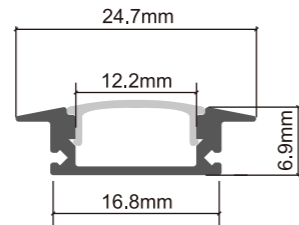
This profile is compact, slim, and easy to install, perfect for under cabinet, under stairs, closets, exhibits, furniture, work stations, etc.

1. LED strip light channels are made from high-quality aluminum and other materials. The LED strip covers are sturdy and will last you ages.
2. LED strip mounting channels are available in both clear and frosted finishes so you can choose the LED light effect you like.
3. LED strip holders come with highly adhesive 3M stickers as well as mounting clips so you easily install the strip housings on any surface you like.
4. Can customize the size, length, finish, and other features of your LED channel tracks. Can help design LED aluminum extrusions to your exact requirements.

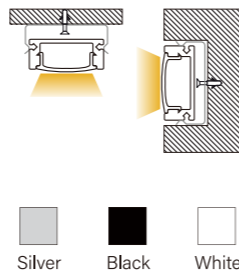
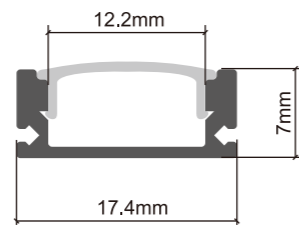
ALUMINUM PROFILES



Model Number	AL505-1712-Black
Material	6063-T5
Available lengths	0.5m/1m/1.5m/2m/3m
PCB Width	≤12.4mm
PC Cover	Black / Milky



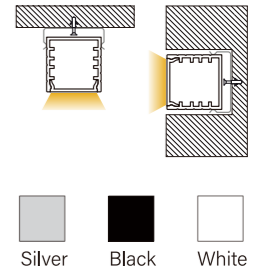
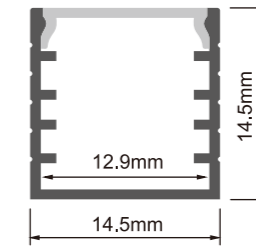
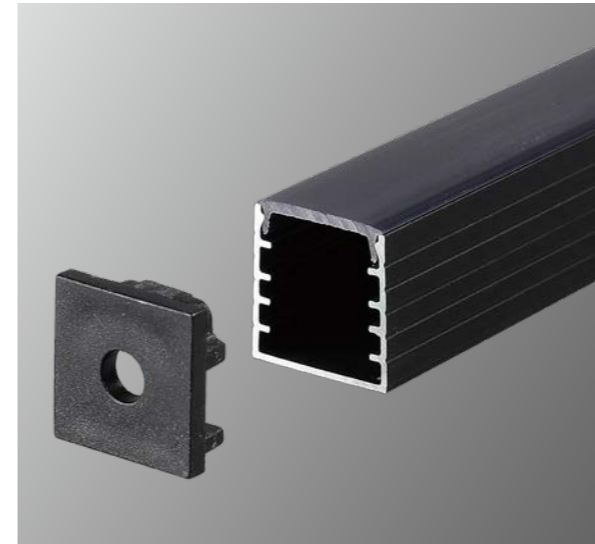
Model Number	AL508-2507-Black
Material	6063-T5
Available lengths	0.5m/1m/1.5m/2m/3m
PCB Width	≤12.2mm
PC Cover	Black / Milky



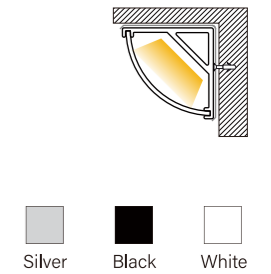
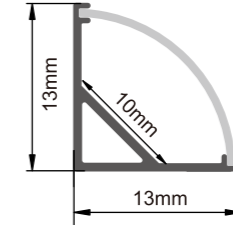
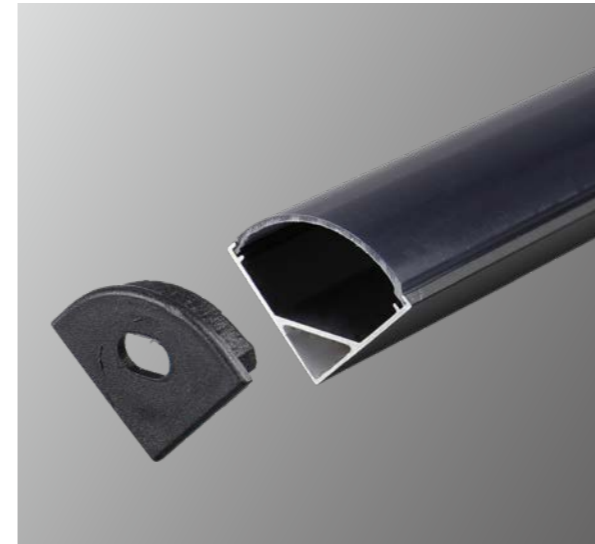
Model Number	AL509-1707-Black
Material	6063-T5
Available lengths	0.5m/1m/1.5m/2m/3m
PCB Width	≤12.2mm
PC Cover	Black / Milky

Remarks: Customized Design Size and Spec Available

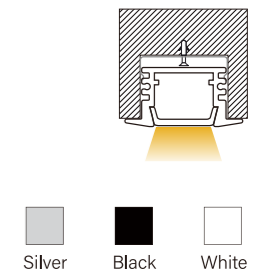
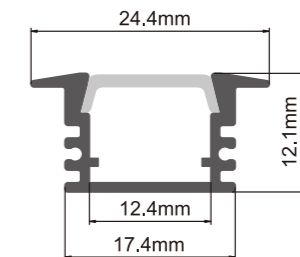
ALUMINUM PROFILES



Model Number	AL524-1515-Black
Material	6063-T5
Available lengths	0.5m/1m/1.5m/2m/3m
PCB Width	≤12.9mm
PC Cover	Black / Milky



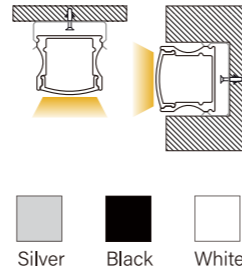
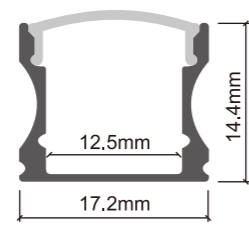
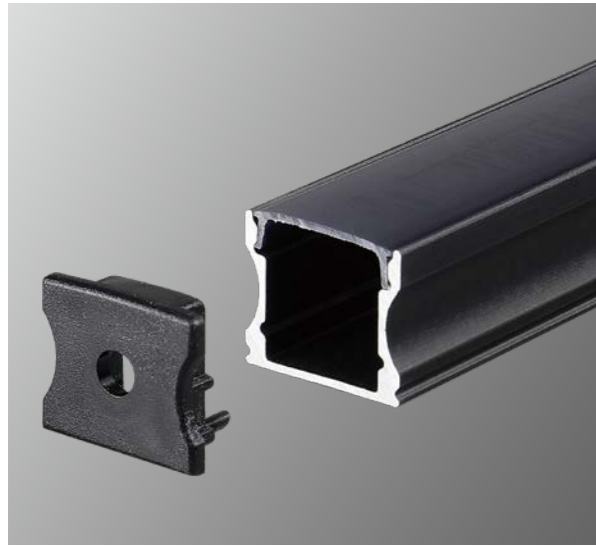
Model Number	AL601-1616-Black
Material	6063-T5
Available lengths	0.5m/1m/1.5m/2m/3m
PCB Width	≤10mm
PC Cover	Black / Milky



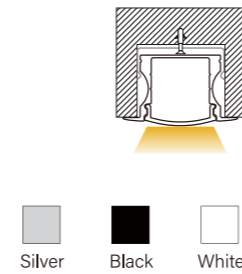
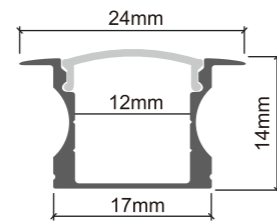
Model Number	AL605-2512-Black
Material	6063-T5
Available lengths	0.5m/1m/1.5m/2m/3m
PCB Width	≤12.4mm
PC Cover	Black / Milky

Remarks: Customized Design Size and Spec Available

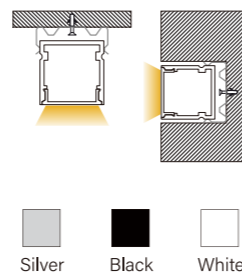
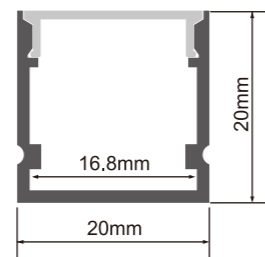
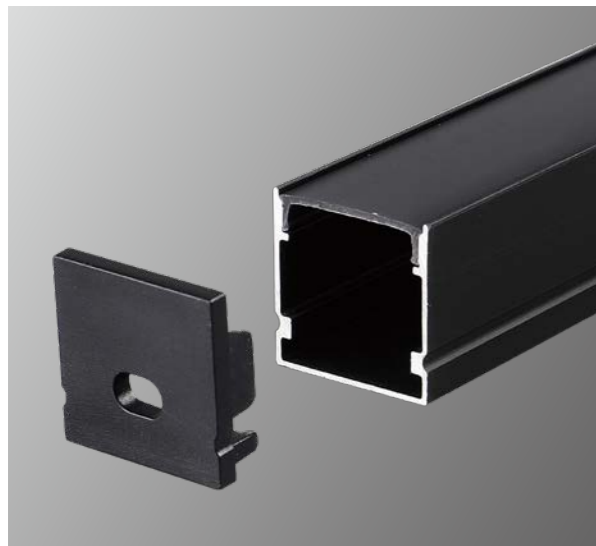
ALUMINUM PROFILES



Model Number	AL613-1714-Black
Material	6063-T5
Available lengths	0.5m/1m/1.5m/2m/3m
PCB Width	≤12.5mm
PC Cover	Black / Milky



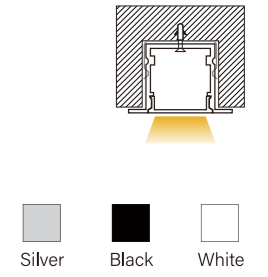
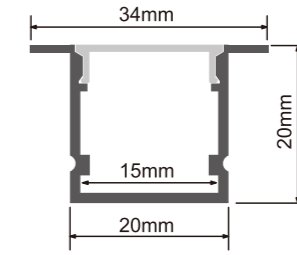
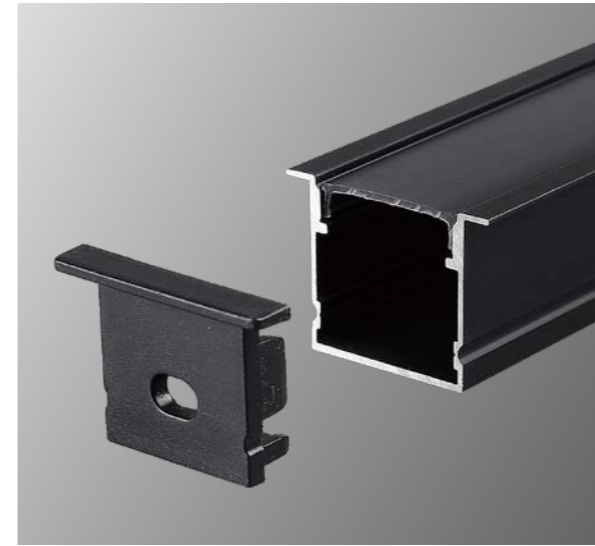
Model Number	AL613B-2414-Black
Material	6063-T5
Available lengths	0.5m/1m/1.5m/2m/3m
PCB Width	≤12mm
PC Cover	Black / Milky



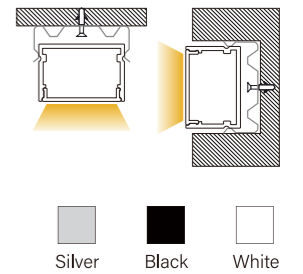
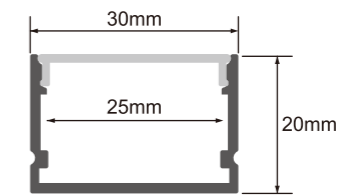
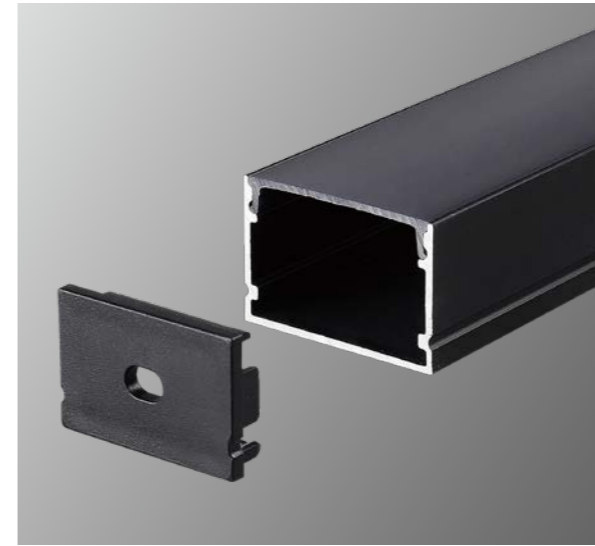
Model Number	AL-2020-Black
Material	6063-T5
Available lengths	0.5m/1m/1.5m/2m/3m
PCB Width	≤16.8mm
PC Cover	Black / Milky

Remarks: Customized Design Size and Spec Available

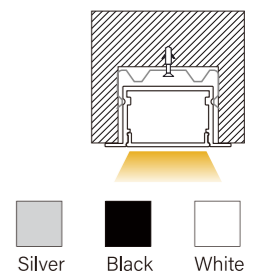
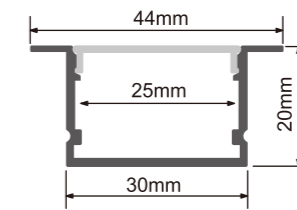
ALUMINUM PROFILES



Model Number	AL-2020A-Black
Material	6063-T5
Available lengths	0.5m/1m/1.5m/2m/3m
PCB Width	≤15mm
PC Cover	Black / Milky



Model Number	AL-3020-Black
Material	6063-T5
Available lengths	0.5m/1m/1.5m/2m/3m
PCB Width	≤25mm
PC Cover	Black / Milky



Model Number	AL-3020A-Black
Material	6063-T5
Available lengths	0.5m/1m/1.5m/2m/3m
PCB Width	≤25mm
PC Cover	Black / Milky

Remarks: Customized Design Size and Spec Available

ALUMINUM PROFILES



Model Number	AL-4020-Black
Material	6063-T5
Available lengths	0.5m/1m/1.5m/2m/3m
PCB Width	≤38.5mm
PC Cover	Black / Milky



Model Number	AL-4020A-Black
Material	6063-T5
Available lengths	0.5m/1m/1.5m/2m/3m
PCB Width	≤38.5mm
PC Cover	Black / Milky